



# Electrolux

ecostore

## 2 Half Door Digital Stainless Steel Freezer, 670lt (-22/-15) R290 - UK Plug

ITEM # \_\_\_\_\_

MODEL # \_\_\_\_\_

NAME # \_\_\_\_\_

SIS # \_\_\_\_\_

AIA # \_\_\_\_\_



727409 (RE472HFCG)

Eco Store Stainless Steel Freezer - 670 lt 2 Half Doors (-22/-15) R290 - UK Plug - 230 V/1N/50Hz

### Short Form Specification

**Item No.** \_\_\_\_\_

Two half doors freezer with internal and external structure in 430 AISI stainless steel; external back panel in galvanized steel and bottom panel in anti-corrosive material. Digital control with cabinet temperature display and setting and manual activation of defrost cycle. Fully compliant HACCP digital controls include visible alarms. Optimized back to front forced air flow provides even temperature distribution and fast cooling in any conditions. Fitted with 75 mm-thick cyclopentane insulating foam. On-site reversible door features lock and door microswitch to switch off the fan when the door is opened. Hidden evaporator to guarantee higher storage capacity and less corrosion problems. Built-in refrigeration unit; ventilated operation; automatic defrost and evaporation of defrost water. For ambient temperatures up to 43 °C. CFC and HCFC free. R290a gas in refrigeration circuit.

Supplied with n. 3x2/1GN Rilsan coated grids and n. 3 sets of 2 stainless steel grid runners. Mounted on wheels and equipped with UK plug.

### Main Features

- Right hinged two 1/2 doors.
- Digital control with cabinet temperature display and setting and manual activation of defrost cycle. Fully compliant HACCP digital controls include visible alarms.
- Large storage area suitable to contain 2/1 GN grids or shelves on anti-tilt runners.
- Optimized back to front forced air flow provide even temperature distribution and fast cooling in any conditions.
- Automatic defrost.
- Internal structure with numerous charging positions available to host grids, ensuring higher net capacity and a greater storage space.
- Adjustable temperature range from -15 °C to -22 °C to suit meat, fish and dairy storage requirements.
- Cabinet fitted with up to 75 mm thickness of cyclopentane insulation for best insulating performance with 100% environmental protection (thermal conductivity: 0,020 W/m\*K).
- Removable triple-chamber balloon magnetic gasket to improve insulation and reduce energy consumption and ease of cleaning
- Automatic evaporation of the defrosting water by hot gas on the top for energy saving.
- 60 mm-thick insulation covering the evaporator can be easily removed with a single operation.
- Rilsan coated grids for improved protection.
- Hidden evaporator thus guaranteeing higher storage capacity and less corrosion problems.
- Tropicalized unit (43°C ambient temperature).
- This appliance is intended for use in ambient temperatures up to 40°C.

### Construction

- Interior base with rounded corners, pressed from a single sheet.
- External back panel in galvanized steel.
- Stainless steel runners and supports easily disassembled.
- Anti-corrosion bottom avoids any damage that may be caused to the cabinet by aggressive detergents employed to clean the floors.
- Lockable door.
- Door switch stops the fan when door is opened to avoid cold air exiting the cell, thus saving energy.
- CFC and HCFC-free insulation.
- Doors are self-closing and can be fully opened up to 180°.
- Mounted on wheels.
- R290 refrigerant to reduce green house and ozone depletion effects.
- The rounded internal corners, the easily removable runners and grids allow for ease of cleaning and high hygiene standards.
- Delivered with UK plug.

### Included Accessories

APPROVAL: \_\_\_\_\_



Electrolux

2 Half Door Digital Stainless Steel Freezer, 670lt (-22/-15) R290 - UK Plug

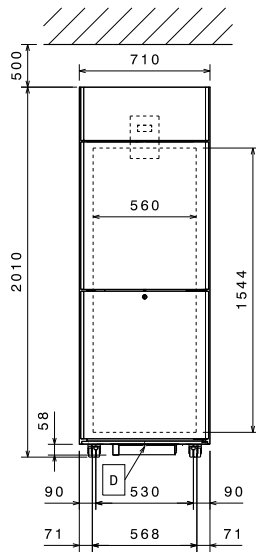
ecostore



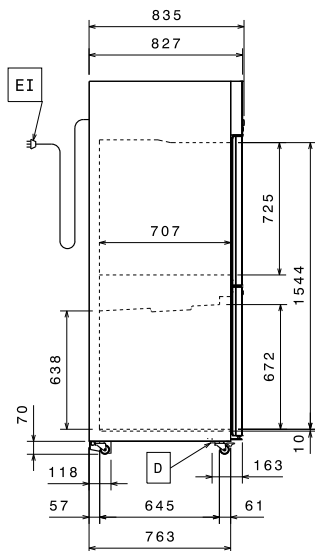
# Electrolux

## ecostore 2 Half Door Digital Stainless Steel Freezer, 670lt (-22/-15) R290 - UK Plug

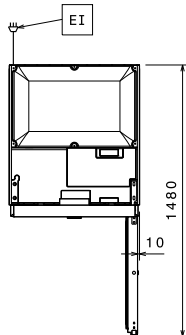
Front



Side



Top



EI = Electrical connection  
 RI = Refrigerant Inlet  
 RO = Refrigerant Outlet

### Electric

Supply voltage:  
 727409 (RE472HFCG) 220-230 V/1 ph/50 Hz  
 Electrical power, max: 0.505 kW

### Key Information

Gross capacity 670 lt  
 Net Volume: 497 lt  
 Door hinges: 2 Right  
 External dimensions, Width 710 mm  
 External dimensions, Height 2010 mm  
 External dimensions, Depth 835 mm  
 External dimensions, Depth with Doors Open: 1480 mm  
 Number and type of doors: 2x1/2 Full  
 Number and type of grids (included): 3 - GN 2/1  
 Type of external material: Stainless Steel  
 Type of internal material: Stainless Steel  
 Internal panels material: Stainless Steel  
 Number of positions & pitch: 44; 30 mm

### Refrigeration Data

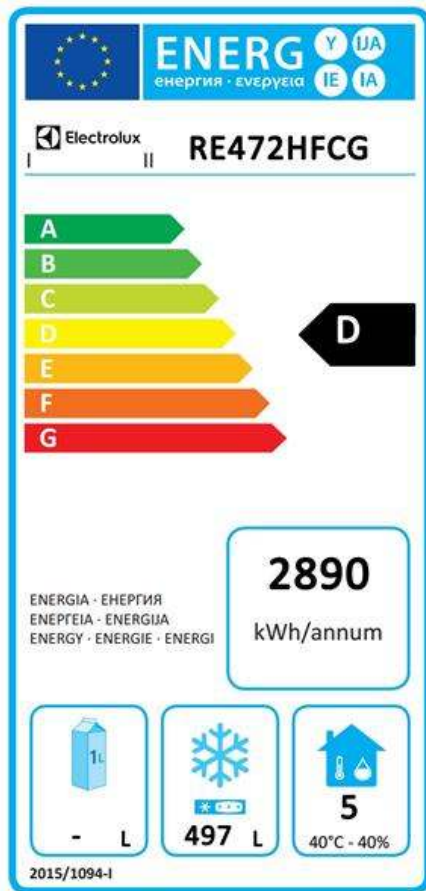
Control type: Digital  
 Refrigerant type: R290  
 Refrigeration power: 586 W  
 Refrigeration power at evaporation temperature: -30 °C  
 Operating temperature min.: -15 °C  
 Operating temperature max.: -22 °C  
 Operating mode: Ventilated

### Product Information (EU Regulation 2015/1094)

Energy Class: D  
 2890kWh/year -  
 Yearly energy consumption: 7.92kWh/24h  
 Climate class: Heavy Duty (5)  
 Energy Efficiency Index (EEI): 73,70  
 [NOT TRANSLATED] vertical frozen

ecostore  
 2 Half Door Digital Stainless Steel Freezer, 670lt (-22/-15) R290 - UK  
 Plug  
 The company reserves the right to make modifications to the products  
 without prior notice. All information correct at time of printing.

### EU energy labelling from 1st July 2016



The European energy labelling scheme for professional refrigerators and freezers is based on requirements setting Minimum Energy Performance standards for commercial refrigeration cabinets sold within the EU. These requirements are designed to drive energy efficiency and environmentally friendly approach for professionals. The European energy labelling scheme will apply to all manufacturers and importers who sell and market products within the EU and it is mandatory across Europe.

Important: all products which consume energy above the minimum level will not be able to be sold within the EU from 1 July 2016.