



Electrolux

ecostore 2 Half Door Dual Digital Refrigerator, 670lt (0/-22) R290 - UK Plug

ITEM # _____

MODEL # _____

NAME # _____

SIS # _____

AIA # _____



727410 (RE472HDFCG)

Eco Store Dual Refrigerator
-670 lt 2 half doors (0/-22°C)
R290 - UK Plug - 230
V/1N/50Hz

Short Form Specification

Item No.

Two half door refrigerator with internal and external structure in 304 AISI stainless steel; galvanized steel external back, bottom and top panels. Digital control with cabinet temperature display and setting and manual activation of defrost cycle. Fully compliant HACCP digital controls include visible alarms. Optimized back to front forced air flow provides even temperature distribution and fast cooling in any conditions. Fitted with 75 mm-thick cyclopentane insulating foam. On-site reversible door features lock and door microswitch to switch off the fan when the door is opened. Hidden evaporator to guarantee higher storage capacity and less corrosion problems. Built-in refrigeration unit; ventilated operation; automatic defrost and evaporation of defrost water. Dual operating temperature: 0/+6°C -15/-22°C. For ambient temperatures up to 43 °C. CFC and HCFC free. R290a gas in refrigeration circuit. Supplied with n. 3x2/1GN Rilsan coated grids and n. 3 sets of 2 stainless steel grid runners. Mounted on wheels and equipped with UK Plug.

Main Features

- Right hinged two 1/2 doors.
- Digital control with cabinet temperature display and setting and manual activation of defrost cycle. Fully compliant HACCP digital controls include visible alarms.
- Large storage area suitable to contain 2/1 GN grids or shelves on anti-tilt runners.
- Optimized back to front forced air flow provide even temperature distribution and fast cooling in any conditions.
- Automatic defrost.
- Internal structure with numerous charging positions available to host grids, ensuring higher net capacity and a greater storage space.
- Dual temperature type: 0 +6 °C/-15 -22 °C.
- Cabinet fitted with up to 75 mm thickness of cyclopentane insulation for best insulating performance with 100% environmental protection (thermal conductivity: 0,020 W/m*K).
- Removable triple-chamber balloon magnetic gasket to improve insulation and reduce energy consumption and ease of cleaning
- Automatic evaporation of the defrosting water by hot gas on the top for energy saving.
- 60 mm-thick insulation covering the evaporator can be easily removed with a single operation.
- Rilsan coated grids for improved protection.
- Hidden evaporator thus guaranteeing higher storage capacity and less corrosion problems.
- Tropicalized unit (43°C ambient temperature).
- This appliance is intended for use in ambient temperatures up to 40°C.

Construction

- Interior base with rounded corners, pressed from a single sheet.
- External back panel in galvanized steel.
- Stainless steel runners and supports easily disassembled.
- Anti-corrosion bottom avoids any damage that may be caused to the cabinet by aggressive detergents employed to clean the floors.
- Lockable door.
- Door switch stops the fan when door is opened to avoid cold air exiting the cell, thus saving energy.
- CFC and HCFC-free insulation.
- Doors are self-closing and can be fully opened up to 180°.
- Mounted on wheels.
- R290 refrigerant to reduce green house and ozone depletion effects.
- The rounded internal corners, the easily removable runners and grids allow for ease of cleaning and high hygiene standards.
- Delivered with UK plug.

Included Accessories

APPROVAL: _____

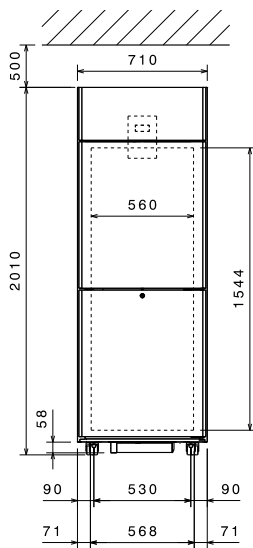


Electrolux

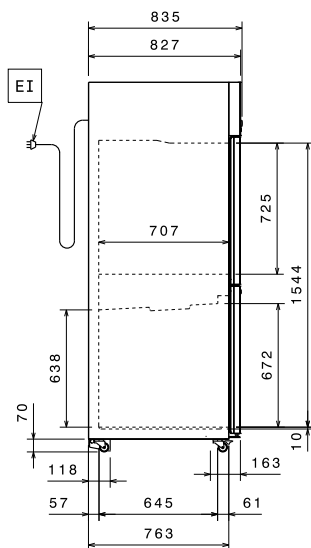
2 Half Door Dual Digital Refrigerator, 670lt (0/-22) R290 - UK Plug

ecostore

Front

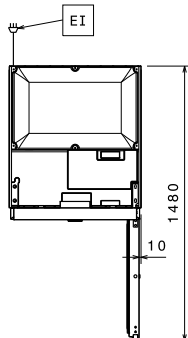


Side



EI = Electrical connection
 RI = Refrigerant Inlet
 RO = Refrigerant Outlet

Top



Electric

Supply voltage:
 727410 (RE472HDFCG) 220-230 V/1 ph/50 Hz
 Electrical power, max: 0.66 kW

Key Information

Gross capacity 670 lt
 Net Volume:
 Door hinges: 2 Right
 External dimensions, Width 710 mm
 External dimensions, Height 2010 mm
 External dimensions, Depth 835 mm
 External dimensions, Depth with Doors Open: 1480 mm
 Number and type of doors: 2x1/2 Full
 Number and type of grids (included): 3 - GN 2/1
 Type of external material: Stainless Steel
 Type of internal material: Stainless Steel
 Internal panels material: Stainless Steel
 Number of positions & pitch: 0; 0 mm

Refrigeration Data

Control type: Digital
 Refrigerant type: R290
 Second Unit - Refrigerant Type: R290
 Refrigeration power at evaporation temperature: -10 °C
 Operating temperature - First Unit (min-max): 0°C / 6°C
 Operating temperature - Second Unit (min-max): -15°C / -22°C
 Operating mode: Ventilated

Product Information (EU Regulation 2015/1094)

Energy Class: 0
 Yearly energy consumption:
 Climate class:
 Energy Efficiency Index (EEI): 0
 [NOT TRANSLATED]