



Electrolux

Warewashing Large drying zone with door for Electrolux green&clean multi-rinse Rack Type Dishwasher

ITEM # _____

MODEL # _____

NAME # _____

SIS # _____

AIA # _____



Electrolux

Warewashing
Large drying zone with door for Electrolux green&clean multi-rinse
Rack Type Dishwasher



535039 (NLDE)

Large drying zone with door
for Electrolux green&clean
multi-rinse Rack Type
Dishwasher

Short Form Specification

Item No. _____

Unit to be Electrolux large dryer suitable to be installed with Electrolux green&clean multi-rinse rack type dishwasher. Electrical characteristics to be __ 400V three phase operation. Dryer uses internal and external air to provide good drying result without high energy consumption. Insulated door with easy access for silent operation and heat preservation. Construction in AISI 304 stainless steel. Suitable for any feeding direction of the dishwasher thanks to easy reversibility on-site. Full pre-arrangement to be connected with Electrolux green&clean multi-rinse rack type dishwasher without any modification.

APPROVAL: _____

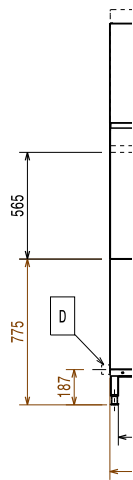
Main Features

- Unit to be placed between multi-rinse rack type dishwasher and handling system.
- Drying zone removes most of water from the crockery through a high powered fan that extracts dry air from outside mixing it with the internal air, thus providing dry plates at a temperature cool enough to handle safely.
- Large counter balanced inspection door allows unrestricted all-round access to the internal area. Door is insulated with injected foam. This adds strength as well as reduces noise and heat loss.
- IP25 protection against water jets, solid objects and small animals (larger than 6 mm).
- Electronically controlled to optimize drying results.
- The feeding direction can be either left to right or right to left as it's reversible on site.
- Adjustable feet for full access underneath the machine for cleaning.

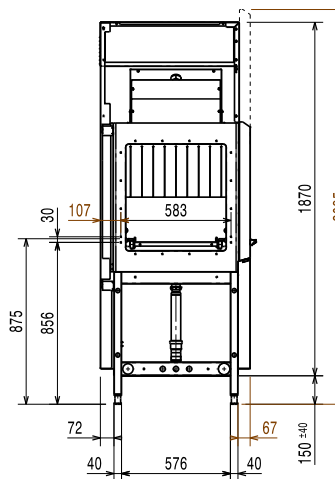
Construction

- All main components made in heavy duty anti-corrosive 304 type stainless steel: internal chamber, external, front and side panels, door and rack transportation system.
- The chamber is pressed with fully rounded corners without internal pipes and therefore no hidden dirt traps.
- The unit is built on modularity concept to easily connect with multi-rinse rack type dishwasher without any modification including power connection.

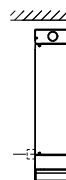
Front



Side



Top



- CWI = Cold Water Inlet
- D = Drain
- EI = Electrical inlet (power)
- EO = Electrical Outlet
- EQ = Equipotential screw
- ES = Electrical signal IN/OUT
- U = USB port
- XP = Chemical probe/sensor

Electric

Supply voltage:	
535039 (NLDE)	380-415 V/3N ph/50 Hz
Default Installed Power:	8.5 kW
Dryer heating elements:	8.25 kW
Drying fan power:	0.23 kW

Key Information:

Dryer air flow:	1200 m ³ /h
Dryer air temperature:	82 °C
External dimensions, Width:	890 mm
External dimensions, Height:	2020 mm
External dimensions, Depth:	825 mm
For transportation purpose only, the depth can be reduced to 795mm by removing the door handle.	
Height with door open:	2095 mm
Net weight:	125 kg
Shipping weight:	149 kg
Shipping height:	2235 mm
Shipping width:	1025 mm
Shipping depth:	910 mm
Shipping volume:	2.1 m ³
Noise level:	<62 dBA
Reference norm used to measure the noise: IEC60335-2-58 annex AA.	