



Electrolux

EMPower Gas Fryer (23lt/40lbs) - 16"

ITEM # _____

MODEL # _____

NAME # _____

SIS # _____

AIA # _____



169109 (AFRG16)

EMPower Restaurant Range fryer, gas, 85,000 BTU, 40lbs (23 lt) with 6" adjustable, removable legs

Short Form Specification

Item No. _____

EMPower unit to be Electrolux 40 lb (23 lt) Single Well Gas Fryer. EMPower unit has two high efficiency thermostatically controlled burners for a total power of 85,000BTU (25kW). Suitable for natural gas or propane gas. EMPower unit has deep drawn V-Shaped well. Interior of well with rounded corners for ease of cleaning. Oil drains through a tap positioned under the well. Control knobs provide smooth, continuous rotation from min to max. All major components can be accessed from the front of the appliance. Worktop in AISI 304 Stainless Steel. Front and side panels in Stainless Steel with Scotch Brite finish. Special heavy duty chrome plated knobs for durability and easy cleaning. Right-angled side edges to allow flush fitting between EMPower units. Supplied with 6" (150 mm) height adjustable, removable legs.

Main Features

- Unit to be Electrolux 40 lb (23 lt) Single Well Gas Fryer.
- Unit to have two high efficiency burners outside the well for a total power of 85,000 BTU (25 kW).
- Suitable for natural gas or propane gas.
- Oil drains through a tap positioned under the well.
- Supplied with 6" (150 mm) height adjustable, removable legs.
- 100% safety pilot.
- Included Accessories: propane converter kit, pressure regulator and main shut off valve.
- EnergyStar Approved.

Construction

- Unit to have deep drawn V-Shaped well.
- Interior of well with rounded corners for ease of cleaning.
- Control knobs provide smooth, continuous rotation from min to max.
- All major components can be accessed from the front of the appliance for ease of maintenance.
- Worktop in AISI 304 Stainless Steel.
- Front and side panels in Stainless Steel with Scotch Brite finish.
- Special heavy duty chrome plated knobs for durability and easy cleaning.
- The configuration of bezels and knobs provides high level of protection against water infiltrations.
- Right-angled side edges to allow flush fitting between units.

Included Accessories

- 1 of EMPower 2 half size baskets for 40lbs (23lt) gas fryer PNC 927223

Optional Accessories

- Kit connecting bases - 2 plates and 2 wheels - 1 with brake. Suitable for pasta cookers, open bases and convection oven base PNC 169041
- EMPower back mounted rear shelf-spacer, 16" unit PNC 169097
- EMPower portioning shelf 12" PNC 169173
- EMPower portioning shelf 16" PNC 169174
- Kit 4 wheels - 2 swivelling with brake - it is mandatory to install base support and wheels. Suitable for pasta cookers, open bases and convection oven base PNC 206135
- Fryer shield for EMPower fryer - left PNC 206441
- Fryer shield for EMPower fryer - right PNC 206442
- EMPower 2 half size baskets for 40lbs (23lt) gas fryer PNC 927223
- EMPower 1 full size baskets for 40lbs (23lt) gas fryer PNC 927226



APPROVAL: _____

Electrolux Professional, Inc.

www.electroluxusa.com/professional

10200 David Taylor Drive, Charlotte, NC 28262 • Telephone Number: 866-449-4200 • Fax Number: 704-547-7401



Electrolux

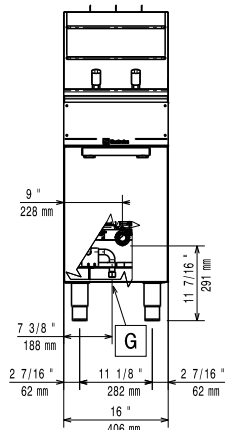
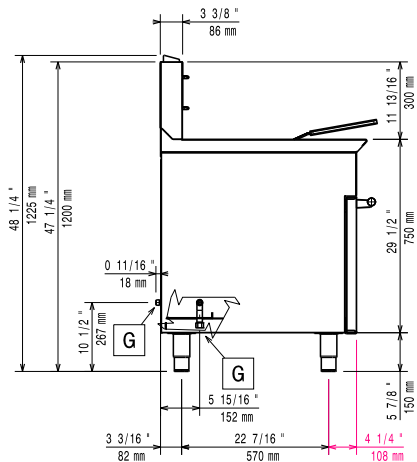
EMPower
Gas Fryer (23lt/40lbs) - 16"



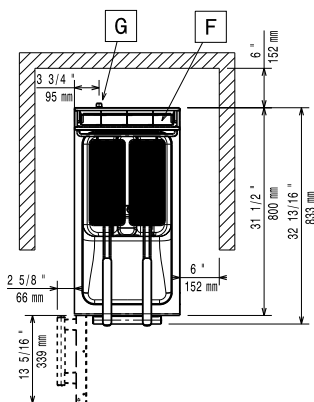
Electrolux

**EMPower
Gas Fryer (23lt/40lbs) - 16"**

- EMPower deflector for flour for 40lbs (23lt) PNC 960645
gas fryer □

Front

Side


EQ = Equipotential screw
G = Gas connection

Top

Gas
Gas Power:
169109 (AFRG16)

85000 Btu/hr (25 kW)

Gas Inlet:

1/2"

Key Information:
Net weight:

61 kg

Shipping weight:

79 kg

Shipping height:

1370 mm

Shipping width:

470 mm

Shipping depth:

920 mm

Shipping volume:

 0.59 m³

* The rear and side clearances shown on the diagram indicate the minimum distances recommended from the appliance to combustible surfaces.