



EMPower Gas Pasta Cooker (24.5lt/6.5gal) - 16"

ITEM # _____
 MODEL # _____
 NAME # _____
 SIS # _____
 AIA # _____



EMPower
Gas Pasta Cooker (24.5lt/6.5gal) - 16"



169123 (ACPG25) EMPower PastaCooker,
Gas,6.5gal,42,500BTU

Short Form Specification

Item No.

EMPower unit to be Electrolux Gas Pasta Cooker with single high efficiency 42,500 BTU (12.5 kW) burner and single well with maximum capacity of 6.5 gal. (24.5 l). Suitable for natural gas or propane gas. Control panel with gas cock and water tap. Door to protect gas and water connections and to provide access to gas ignition and water drain valve. The tank is pressed in AISI 316 Stainless Steel to protect against corrosion. Worktop in AISI 304 Stainless Steel. Front and side panels in Stainless Steel with Scotch Brite finish. Special heavy duty chrome plated knobs for durability and easy cleaning. The configuration of bezels and knobs provides high level of protection against water infiltrations. Right-angled side edges to allow flush fitting joints between EMPower units. Supplied with 6" (150mm) height adjustable legs.

Main Features

- Single high efficiency gas 42,500 BTU (12.5 kW) burner.
- Burner with optimized combustion and protected pilot light.
- Flame failure device to protect against accidental extinguishing of the flame.
- Insulated cooktop to conserve energy.
- Easy-to-use control panel with gas cock and water tap.
- Door to protect gas and water connections and to provide access to gas ignition and water drain valve.
- All major compartments located in front of unit for ease of maintenance.
- In addition to cooking pasta, the appliance can be used for noodles of every kind, rice, dumplings and vegetables.
- Water basin in AISI 316 Stainless Steel has a maximum capacity of 6.5 gal. (24.5 l) and is seamlessly welded into the top of the appliance.
- Front and side panels in Stainless Steel with Scotch Brite finish.
- Special heavy duty chrome plated knobs for durability and easy cleaning.
- The configuration of bezels and knobs provides high level of protection against water infiltrations.
- Right-angled side edges to allow flush fitting joints between units, eliminating gaps and possible dirt traps.
- Provided with kit for side-by-side connection between units for minimizing gaps and possible dirt traps.
- Supplied with 6" (150 mm) height adjustable, removable legs.
- Included Accessories: propane converter kit, pressure regulator and main shut off valve.
- In compliance with ETL Certification (UL & NSF).
- Configured for Natural Gas, LP Conversion Kit Included.

Construction

- Worktop in 304 AISI stainless steel.
- Gas pressure regulator is supplied with the unit.

Optional Accessories

- Kit connecting bases - 2 plates and 2 wheels - 1 with brake. Suitable for pasta cookers, open bases and convection oven base PNC 169041
- EMPower back mounted rear shelf-spacer, 16" unit PNC 169097
- EMPower portioning shelf 12" PNC 169173
- EMPower portioning shelf 16" PNC 169174
- Kit 4 wheels - 2 swivelling with brake - it is mandatory to install base support and wheels. Suitable for pasta cookers, open bases and convection oven base PNC 206135



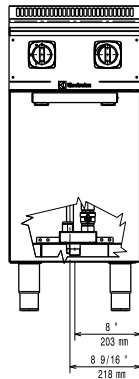
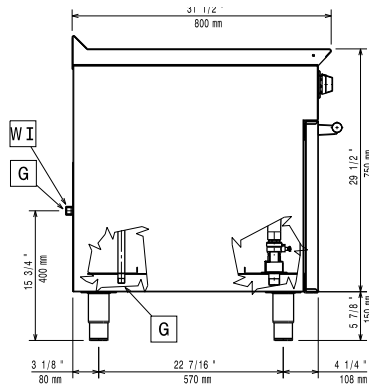
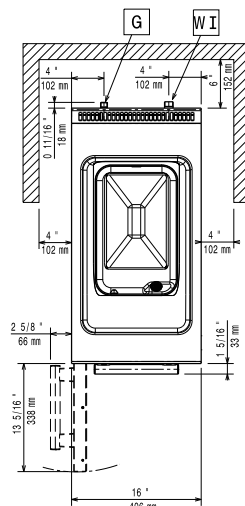
APPROVAL: _____



Electrolux

**EMPower
Gas Pasta Cooker (24.5lt/6.5gal) -
16"**

- Pair of square baskets (4" x 6") left and right for 5.3 (20 Lt) and 6.5 (25 Lt) gallon pasta cooker. 4 baskets can be fitted in pasta cooker. To be used with support PNC 921022 PNC 921020
- Pair of square baskets (4" x 4") left and right, for 5.3 (20 Lt) and 6.5 (25 Lt) gallon pasta cooker. To be used with PNC 921022 PNC 921021
- Support for baskets for 5.3 (20 Lt) and 6.5 (25 Lt) gallon pasta cooker PNC 921022
- Lid for 5.3 (20 Lt) and 6.5 (25 Lt) gallon pasta cooker PNC 921607
- Pair of baskets (7.5" x 8.5") for 5.3 (20 Lt) and 6.5 (25 Lt) gallon pasta cooker PNC 921610

Front

Side

WI = Cold Water inlet
D = Drain
EQ = Equipotential screw
G = Gas connection
Top

Gas
Gas Power:
169123 (ACPG25) 42500 Btu/hr (12.5 kW)

Standard gas delivery:

Natural Gas

Gas Type Option:

Propane

Gas Inlet:

1/2"

Water:

Electrolux recommends the use of treated water, based on testing of specific water conditions.

Please refer to user manual for detailed water quality information.

Drain line size: 1"

Water cold/hot pipe size 3/4"

Key Information:
Net weight: 84 lbs (38 kg)

Shipping width: 18 1/4" (464 mm)

Shipping depth: 36 1/8" (918 mm)

Shipping height: 45 7/16" (1154 mm)

Shipping weight: 99 lbs (45 kg)

Shipping volume: 17.36 ft³ (0.49 m³)

*The rear and side clearances shown on the diagram indicate the minimum distances recommended from the appliance to combustible surfaces.