



Electrolux

air-o-convect Touchline air-o-convect TOUCHLINE Boilerless Combi Oven 62 (electric)

ITEM # _____

MODEL # _____

NAME # _____

SIS # _____

AIA # _____



Electrolux

air-o-convect TOUCHLINE Boilerless Combi Oven 62 (electric)



Short Form Specification

Item No. _____

Unit to be Electrolux TOUCHLINE air-o-convect Boilerless Combi Oven (electric).

air-o-convect performs all of the functions of a convection oven and has a boilerless steaming capabilities to add and retain moisture for high quality, consistent cooking cycles. Cooking modes include a convection (hot air) cycle 77°F-572°F (25°C-300°C) with an automatic moisture control function with 11 settings from zero to high moisture, double step cooking process, automatic pre-heating, a hold function and automatic rapid cooling. All 304 stainless steel construction, seamless hygienic cooking chamber with all rounded corners. Double thermo-glazed door with open frame construction for cool outside door panel. IPX5 (NEMA 4) spray water protection certification.

air-o-clean™ automatic and built-in self cleaning system.

Covered by Electrolux Platinum Star® Service Program, two-year parts and one-year labor warranty, installation start-up and performance checkup after one year from installation.



APPROVAL: _____

Main Features

- Dry hot convection cycle max 572°F (max 300°C) ideal for low humidity cooking. Automatic moistener (11 settings) for boiler-less steam generation.
 - 0 = no additional moisture (browning, au gratin, baking, pre-cooked food)
 - 1-2 = low moisture (small portions of meat and fish)
 - 3-4 = medium low moisture (large pieces of meat, reheating, roasted chicken and proving)
 - 5-6 = medium moisture (roasted vegetable and first step of roasted meat & fish)
 - 7-8 = medium-high moisture (stewed vegetables)
 - 9-10 = high moisture (poached meat and jacket potatoes)
- Programs mode: a maximum of 1000 recipes can be stored in the oven's memory, to replicate the same results at any time. The recipes can be grouped in up to 16 different categories to help organize the menu. Possible to save programs with up to 16-phases (steps) each.
- MultiTimer function to manage a sequence of up to 14 different cooking cycles, improving flexibility and ensuring excellent cooking results. Possible to save up to 70 MultiTimers Programs.
- air-o-flow: fresh air from the outside is directed to the bi-functional fan, becomes pre-heated and then pushed into the cooking chamber to guarantee an even cooking process.
- Exhaust valve electronically controlled to extract humidity in excess for extra crispy results.
- Fan speeds: full, half speed and pulse. Full speed active as default. Half speed ideal for delicate cooking such as baking. Pulse ideal for low weight loss and for keeping food warm at the end of the cooking cycle.
- Hold function for keeping food warm at the end of a cycle.
- Automatic and manual rapid cooling activation when going from a higher to a lower cavity temperature.
- 6-point multi sensor core temperature probe for maximum precision and food safety.
- Food Safe Control (FSC) PATENTED monitors the cooking process to comply with HACCP standards. Built-in HACCP management to record cooking procedure and to specify level of Pasteurization.
- USB connection: to download HACCP and FSC data, upload the recipes and interface setting.
- Sous-vide USB probe to ensure excellent cooking results even with vacuum-packed products (optional accessory).
- Make-it-mine feature to allow user to personalize all user main interfaces in the "Setting" mode and block editing and deleting of stored programs.
- Supplied with n.1 tray rack, 2 1/2" 65mm pitch.
- air-o-clean™ automatic and built-in self cleaning system (4 automatic) with "Green" functions to save energy, water and rinse aid.
- Electrolux Platinum Star® Service package included:
 - 2-year parts, 1-year labor warranty
 - Start-up installation check
 - Equipment check-up after 12 months from installation

Electrolux Professional, Inc.

www.electroluxusa.com/professional

10200 David Taylor Drive, Charlotte, NC 28262 • Telephone Number: 866-449-4200 • Fax Number: 704-547-7401



Electrolux

**air-o-convect Touchline
air-o-convect TOUCHLINE
Boilerless Combi Oven 62 (electric)**

- ETL safety approved, complies with UL 197 and CSA 22.2 listings.
- ETL sanitation approved, complies with NSF/ANSI 2 listing.

Construction

- IPX 5 spray water protection certification for easy cleaning.
- 304 AISI stainless steel construction throughout.
- Seamless hygienic cooking chamber with all rounded corners for easy cleaning.
- Double thermo-glazed door with open frame construction, for cool outside door panel. Swing hinged easy-release inner glass on door for easy cleaning.
- Swing hinged front panel for easy service access to main components.

Included Accessories

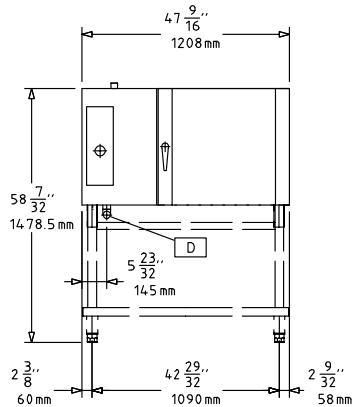
- 3 of Single 304 stainless steel full-size grid PNC 922076 (21" x 26")
- 1 of Control Panel Filter, for 62 and 102 oven PNC 922247

Optional Accessories

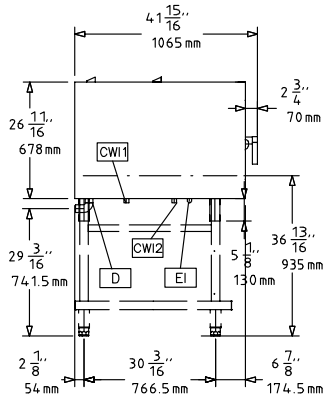
- Water softener with cartridge STEAM 1200 PNC 920003
- Automatic water softener for ovens PNC 921305
- Resin sanitizer for water softener PNC 921306
- Caster kit for base for 61, 62, 101 and 102 oven bases only PNC 922003
- (4) Adjustable feet for countertop models 61, 62, 101 & 102 ovens-adjustable height: 5-15/16" - 7-7/8" (150-200mm) PNC 922012
- Pair of half size oven racks, type 304 stainless steel PNC 922017
- Chicken racks, pair (2) (fits 8 chickens per rack) PNC 922036
- Tray support, for 62 and 102 oven bases PNC 922041
- Trolley for roll-in rack for 62 and 102 oven PNC 922042
- Roll-in rack support with handle for 62 and 102 oven PNC 922047
- Open base with rack guides for air-o-steam 102 PNC 922063
- Single 304 stainless steel full-size grid (21" x 26") PNC 922076
- EKIS - Electrolux Intelligent Kitchen System PNC 922166
- Kit to connect external rinse aid & detergent tank (61, 62, 101 and 102 ovens) PNC 922169
- External side spray unit PNC 922171
- Pair of 304 stainless steel full-size grids (21" x 26") PNC 922175
- Fat Filter, for 61 and 62 oven PNC 922177
- Open base with rack guides, for 62 and 102 ovens PNC 922198
- Basket for detergent tank (wall mounted) for 201 and 202 ovens PNC 922209
- Pair of frying baskets PNC 922239
- Control Panel Filter, for 62 and 102 oven PNC 922247
- Double-click closing catch for oven door PNC 922265
- Grid for whole chicken 1/IGN (8 per grid - 1,2kg each) PNC 922266
- Stacking kit: 62 on 62 or 62 on 102 electric oven PNC 922267
- 6 rack cassette for 62 oven (standard pitch) PNC 922269
- 5 rack cassette for 62 oven (increased pitch) PNC 922270
- Heat Shield, for 62 oven PNC 922271

- Electronic Board for HACCP through PC Network, for air-o-steam and air-o-convect Ovens PNC 922275
- USB Probe for sous-vide cooking (only for Touchline ovens) PNC 922281
- Flanged feet kit for all 61, 62, 101 and 102 ovens PNC 922320
- Kit universal skewer rack & (6) long skewer ovens (TANDOOR) PNC 922325
- Universal skewer pan for ovens (TANDOOR) PNC 922326
- Skewers for ovens, (6) 14" short (TANDOOR) PNC 922328
- Grease collection tray (1 1/2") for 61 and 101 ovens PNC 922329
- (NPT) Adaptor, 1-1/4 gas for ovens PNC 922332
- Riser on feet for stacked ovens 62 on 62 PNC 922334
- Riser on casters for stacked ovens 62 on 62 PNC 922335
- Casters for stacked ovens 62 on 62 and 62 on 102 PNC 922336
- Smoker for ovens PNC 922338
- Kit check valve PNC 922347
- Multipurpose hook PNC 922348
- Grease collection tray PNC 922350
- Grease collection tray (2 2/5") for 62 and 102 ovens PNC 922357
- - NOT TRANSLATED - PNC 922362
- Non-stick universal pan 12" x 20" x 3/4" PNC 925000
- Non-stick universal pan 12" x 20" x 1 1/2" PNC 925001
- Non-stick universal pan 12" x 20" x 2 1/2" PNC 925002
- 6 NON-STICK U-PAN 12"X20"X3/4" PNC 925012
- 6 NON-STICK U-PAN 12"X20"X1 1/2" PNC 925013
- 6 NON-STICK U-PAN 12"X20"X2 1/2" PNC 925014

Front

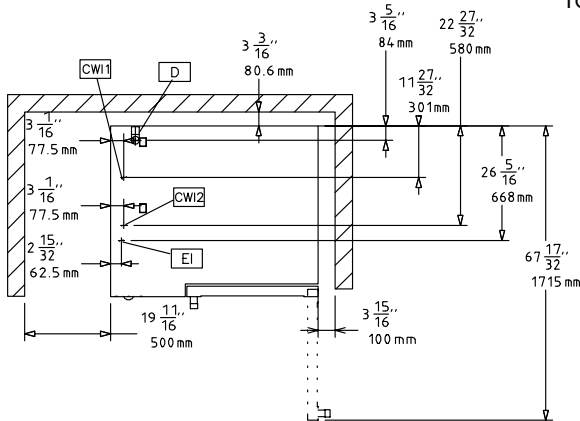


Side



- CW11 = Cold Water inlet EI = Electrical connection
 CW12 = Cold Water Inlet 2
 D = Drain
 DO = Overflow drain pipe

Top



Electric

- Supply voltage:**
 266371 (AOS062EKM1) 208 V/3 ph/60 Hz
Rated amps: 58 A
Total Watts: 21 kW
Circuit breaker required

Water:

- Water inlet "CW" connection:** 3/4"
Total hardness: 5-50 ppm
Pressure: 22-65 psi (1.5-4.5 bar)
Drain "D": 1"1/4 NPT
Electrolux recommends the use of treated water, based on testing of specific water conditions.
Please refer to user manual for detailed water quality information.

Installation:

- Clearance:** 2" (5cm) rear and right hand sides.
Suggested clearance for service access: 20" (50cm) left hand side.

Capacity:

- Sheet pans:** 6 - 18"x 26"
Steam pans: 12 - 12"x 20"
Half size sheet pans: 12 - 13"x 18"
Max load capacity: 106 lbs. (60 kg)

Key Information:

- Net weight:** 373 lbs (169.4 kg)
Shipping width: 45 1/4" (1150 mm)
Shipping depth: 50 3/8" (1280 mm)
Shipping height: 44 1/2" (1130 mm)
Shipping weight: 428 lbs (194 kg)
Shipping volume: 58.73 ft³ (1.66 m³)