

**Warewashing  
 Green&Clean Hood Type Dishwasher,  
 Automatic with ESD, ZERO LIME  
 Device & CLEAR BLUE System**

ITEM # \_\_\_\_\_

MODEL # \_\_\_\_\_

NAME # \_\_\_\_\_

SIS # \_\_\_\_\_

AIA # \_\_\_\_\_



- 504253 (EHT8TIELG8)** Green & Clean Hood Type Dishwasher, Automatic Double skin hood with ESD, ZERO LIME Device, CLEAR BLUE Filtering System & Detergent and Rinse aid dispenser, 80racks/hour - 208 V/3/60 Hz
- 504252 (EHT8TIELG4)** Green & Clean Hood Type Dishwasher, Automatic Double skin hood with ESD, ZERO LIME Device, CLEAR BLUE Filtering System & Detergent and Rinse aid dispenser, 80racks/hour - 240 V/3/60 Hz

### Short Form Specification

**Item No.** \_\_\_\_\_

Unit to be Electrolux Green & Clean EHT hot water sanitizing dishwasher with WASH SAFE CONTROL. Electrical characteristics to be 240 volts or 208 volts, three phase operation. Energy Star 2.0 certified product. Unit to feature Energy Saving Device (ESD) to recover the steam heat. ESD to need no more than 11 seconds to recover the steam heat. Features atmospheric built-in booster system with built-in rinse booster pump thus guaranteeing rinse pressure during rinse cycle. Maximum water consumption of 1/2 gal (2 L) per rack. Washing performance is guaranteed by a powerful 1.1 HP (0.8 kW) wash pump and upper and lower stainless steel revolving washing spray arms. Unit to feature ZERO LIME Device to automatically de-scale the whole hydraulic circuit and washing chamber. Unit to feature "WASH SAFE CONTROL" led light. Green light will indicate that all items washed have been properly rinsed. CLEAR BLUE filtering to system remove majority of soil from the wash water. LED bar on the top keeps operator informed on machine status. 304 Stainless steel construction to include double skin insulated hood, external, front and side panels, wash tank, tank filter plus wash and rinse arms. Field convertible from straight to corner operation. Includes drain pump, detergent and rinse aid dispenser pumps and is equipped with flexible fill hoses. Delivered on height-adjustable feet. Covered by Electrolux Platinum Star® Service Program two-year parts

and one-year labor warranty, installation start-up and performance check-up after one year from installation.

### Main Features

- Built-in high efficiency Energy Saving Device (ESD) transfers the heat captured inside the machine to the incoming cold water before entering the boiler, thus saving energy; no ventilation hood is needed for the machine (depending on local regulation and conditional on compliance with VDI 2052).
- ZERO LIME Device ensures total scale removal from the boiler, the hydraulic circuits and the washing chamber allowing ultimate performances and lower energy consumption thanks to the high-efficiency heating element.
- CLEAR BLUE advanced filtering system provides cleaner wash water and higher active detergent thus ensuring better washing performances and lower running costs.
- ETL-Sanitation approved (ANSI/NSF 3 sanitation standard) and DIN 10512 compliant.
- Requires only 0.6gal (2 liters) of water per washing cycle thus ensuring low energy, water, detergent and rinse aid consumption.
- Built-in atmospheric boiler sized to raise incoming cold water to a minimum of 183°F (84°C) for sanitizing rinse. No external boiler is required. Constant temperature of 183°F (84°C) throughout the rinsing cycle regardless of the network's water pressure.
- Green light of "WASH SAFE CONTROL" confirms that items have been rinsed properly.
- Unique temperature interlock guarantees required temperatures in both the wash and final rinse.
- Incorporated Soft Start feature to offer additional protection to more delicate items.
- Automatic start on hood closure and automatic hood lifting when cycle ends.
- Slanted wash arms and sloped ceiling to avoid detergent-filled wash water dropping on clean dishes after the rinsing phase, thus guaranteeing ideal washing results.
- Cycle may be interrupted at any time by lifting the hood.
- Automatic self-cleaning cycle and self-draining vertical wash pump and boiler to avoid bacteria proliferation.
- LED strip on the top keeps operator informed on machine status.
- State-of-the-art electronic controls with built-in programming, self-diagnostics for serviceability and automatic interior self-cleaning cycle.
- Built-in rinse aid and detergent dispenser with automatic initial and continuous cycle loading for perfect result while minimizing service and maintenance needs.
- IP25 protection against water jet, solid objects and small animals (larger than 0.2").
- Maximum capacity per hour of 80 racks or 1.440 dishes.

### Construction

- Heavy duty Stainless steel construction. Internal cavity as well as exterior panels are in 304 series Stainless steel.
- Automatic double skin insulated hood.
- Specially designed Stainless steel wash/rinse arms and nozzles provide superior cleaning action.
- Revolving interchangeable Stainless steel wash/rinse arms above and below the rack, screw out for simple clean up.



APPROVAL: \_\_\_\_\_



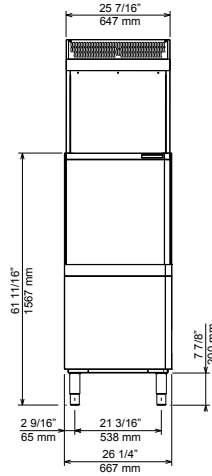
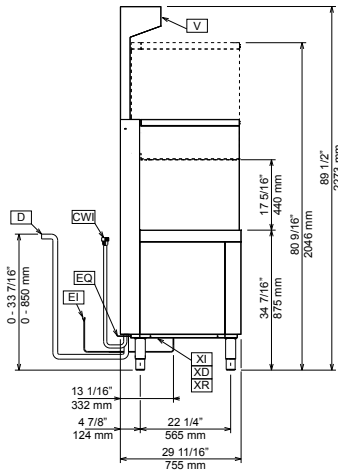
- Pre-arranged for on-site HACCP implementation and Energy Management device.
- Element protection from dry fire and low water.
- Unit to include drain pump detergent and rinse aid dispenser pumps.
- Utilizes standard 20" by 20" (500x500mm) racks for ease of operation.
- 17- 5/16" (440mm) door opening accepts 18" trays.

### **Included Accessories**

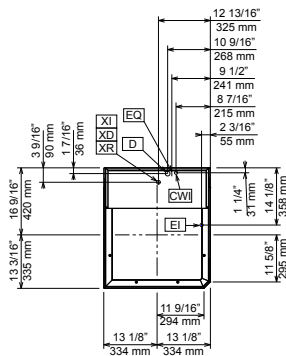
- 2 of Yellow cutlery container PNC 864242
- 1 of Basket for (18) dinner plates, yellow PNC 867002
- 1 of Basket for (48) small cups or (24) large cups, blue PNC 867007

### **Optional Accessories**

- HACCP connection cable for double skin hood type PNC 864007
- Back panel for double skin automatic hood type with Energy Saving Device (ESD) - AISI 304 PNC 864345
- - NOT TRANSLATED - PNC 864461
- - NOT TRANSLATED - PNC 864463
- - NOT TRANSLATED - PNC 864464
- - NOT TRANSLATED - PNC 864466
- - NOT TRANSLATED - PNC 865493

**Front**

**Side**


- |                                   |                                  |
|-----------------------------------|----------------------------------|
| <b>CW1</b> = Cold Water inlet     | <b>XI</b> = Chemicals inlet      |
| <b>D</b> = Drain                  | <b>XP</b> = Detergent probe      |
| <b>EI</b> = Electrical connection | <b>XR</b> = Rinse aid connection |
| <b>EO</b> = Electrical Outlet     |                                  |
| <b>V</b> = Vents                  |                                  |
| <b>WI</b> = Water inlet           |                                  |
| <b>XD</b> = Detergent connection  |                                  |

**Top**

**Electric**

<b>Supply voltage:</b>	
504253 (EHT8TIELG8)	208 V/3 ph/60 Hz
504252 (EHT8TIELG4)	240 V/3 ph/60 Hz
<b>Default Installed Power:</b>	9.9 kW at 50°F (10°C)
<b>Booster Heating Elements Power:</b>	9.9 kW at 50°F (10°C)
<b>Tank heating elements:</b>	3 kW
<b>Wash pump size:</b>	1.1 hp (0.8 kW)
<b>Minimum current:</b>	
504253 (EHT8TIELG8)	28A
504252 (EHT8TIELG4)	24A
<b>Maximum Over-Current Protection (MOP):</b>	
504253 (EHT8TIELG8)	50A
504252 (EHT8TIELG4)	40A
<b>Minimum Circuit Ampacity (MCA):</b>	
504253 (EHT8TIELG8)	40A
504252 (EHT8TIELG4)	34A

**Water:**

<b>Water supply temperature:</b>	50-68°F (10-30°C)
<b>Inlet Water supply pressure:</b>	7 - 102 psi (0.5 - 7 bar)
<b>Water consumption per cycle:</b>	0.53 gal (2 L)
<b>Booster Capacity:</b>	3.17 gal (12 L)
<b>Tank Capacity:</b>	6.34 gal (24 L)
<b>Drain line size:</b>	0.8" (20.5 mm) pumped drain

**Key Information:**

<b>Wash temperature (MIN):</b>	
504253 (EHT8TIELG8)	160°F (71°C)
504252 (EHT8TIELG4)	160°F (71°C)
<b>N° of cycles:</b>	3
<b>Duration cycle - NSF*:</b>	57/84/150 sec.
<b>Racks per hour - ETL-S*:</b>	63
<b>Dishes per hour - ETL-S*:</b>	1134
<b>Rinse temperature (MIN):</b>	183.2°F (84°C)
<b>External dimensions, Width:</b>	26 1/4" (667 mm)
<b>External dimensions, Depth:</b>	29 3/4" (755 mm)
<b>External dimensions, Height:</b>	89 1/2" (2273 mm)
<b>Net weight:</b>	335 lbs (152 kg)
<b>Shipping width:</b>	28 13/16" (810 mm)
<b>Shipping depth:</b>	32 1/4" (720 mm)
<b>Shipping height:</b>	68 1/8" (1730 mm)
<b>Shipping weight:</b>	284 lbs (129 kg)
<b>Shipping volume:</b>	36.62 ft³ (1.01 m³)
<b>Shipping volume (ESD):</b>	
504253 (EHT8TIELG8)	11.67 ft³ (1.01 m³)
504252 (EHT8TIELG4)	36.62 ft³ (1.01 m³)
<b>Packaging size ESD (WxDxH):</b>	
504253 (EHT8TIELG8)	29 1/8"x18 11/16"x37 1/64"
504252 (EHT8TIELG4)	28 13/16"x32 1/4"x68 1/8"
<b>Shipping weight (ESD):</b>	79 lbs (36 kg)
<b>Noise level:</b>	<63 dBA

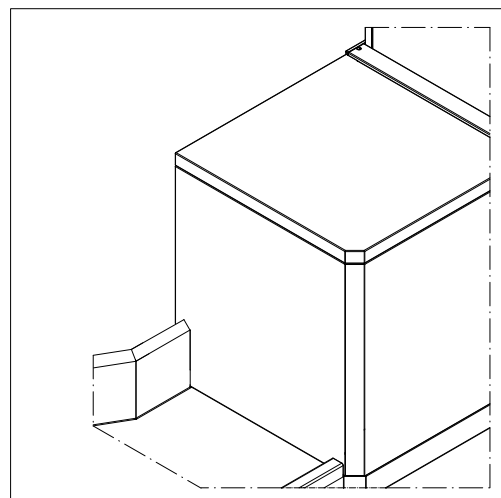
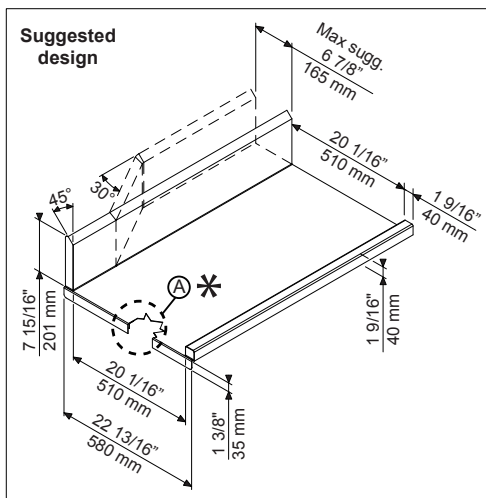
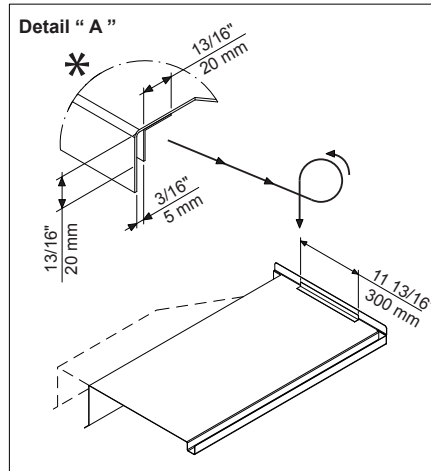
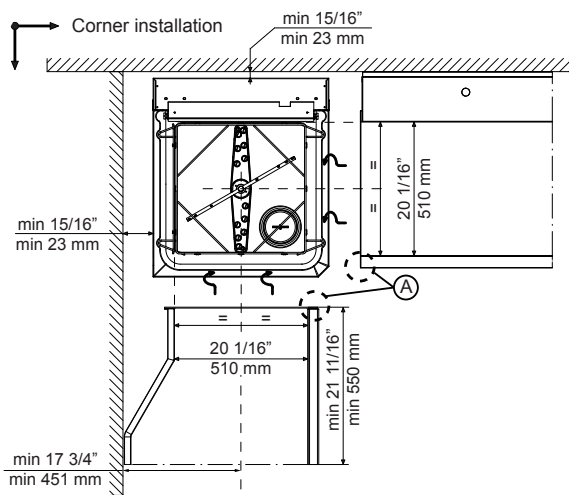
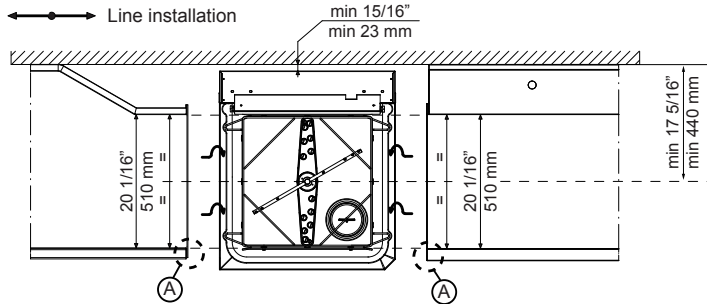
**Air Emission:**

<b>Air Flow:</b>	17 CFM (28 m3/h)
<b>Air temperature:</b>	86°F (30°C)
<b>Air humidity:</b>	55% r.h.

\* without considering additional 11 seconds for ESD operation.



**Recommended table connection**



All tables must be connected to the dishwashing units according to local regulations and industry standards which may differ from the recommendations herein suggested. Electrolux Professional is not liable for any failure in complying with local design standards.

Doc Nr : 59566BD00