



Electrolux

Warewashing Green&Clean Hood Type Dishwasher, Manual with ESD, ZERO LIME Device & CLEAR BLUE System

ITEM # _____

MODEL # _____

NAME # _____

SIS # _____

AIA # _____



**504279
(EHT8IELG4)**

Green & Clean Hood Type Dishwasher, Manual double skin hood with ESD, ZERO LIME Device, CLEAR BLUE Filtering System, Detergent and Rinse aid dispensers, 80racks/hour - 240 V/3/60 Hz

**504280
(EHT8IELG8)**

Green & Clean Hood Type Dishwasher, Manual double skin hood with ESD, ZERO LIME Device, CLEAR BLUE Filtering System, Detergent and Rinse aid dispensers, 80racks/hour - 208 V/3/60 Hz

Short Form Specification

Item No.

Unit to be Electrolux Green & Clean EHT hot water sanitizing dishwasher with WASH SAFE CONTROL. Electrical characteristics to be 240 volts or 208 volts, three phase operation. Energy Star 2.0 certified product. Features Energy Saving Device (ESD) to recover the steam heat. ESD to need no more than 11 seconds to recover the steam heat. Unit to feature atmospheric built-in booster system with built-in rinse booster pump thus guaranteeing rinse pressure during rinse cycle. Maximum water consumption of 1/2 gal (2 L) per rack. Washing performance is guaranteed by a powerful 1.1 HP (0.8 kW) wash pump and upper and lower stainless steel revolving washing spray arms. Unit to feature ZERO LIME Device to automatically de-scale the whole hydraulic circuit and washing chamber. features "WASH SAFE CONTROL" LED light. Green light will indicate that all items washed have been properly rinsed. CLEAR BLUE filtering system to remove majority of soil from the wash water. 304 Stainless steel construction to include double skin insulated hood, external, front and side panels, wash tank, tank filter plus wash and rinse arms. Field convertible from straight to corner operation. Includes drain pump, detergent and rinse aid dispenser pumps and is equipped with flexible fill hoses. Delivered on height-adjustable feet. Covered by Electrolux Platinum Star® Service Program two-year parts and one-year labor warranty, installation start-up and performance check-up



APPROVAL: _____

after one year from installation.

Main Features

- Built-in high efficiency Energy Saving Device (ESD) transfers the heat captured inside the machine to the incoming cold water before entering the booster, thus saving energy; no ventilation hood is needed for the machine (unless local regulations or restrictions apply).
- ZERO LIME Device ensures total scale removal from the hydraulic circuits and the washing chamber allowing for lower energy consumption thanks to the high-efficiency of the heating elements.
- CLEAR BLUE advanced filtering system provides cleaner wash water and higher active detergent thus ensuring better washing performances and lower running costs.
- Requires only 1/2 gal (2 L) of water per rack thus ensuring low energy, water, detergent and rinse aid consumption.
- Energy Star 2.0 certified product.
- Built-in atmospheric booster sized to raise incoming cold water to a minimum of 180°F (82°C) for sanitizing rinse. No external booster is required. Constant temperature above 180°F (82°C) throughout the rinsing cycle.
- ETL C & US and ETL-Sanitation approved (ANSI/NSF 3 sanitation standard).
- Green light of "WASH SAFE CONTROL" confirms that items have been rinsed properly.
- Unique temperature interlock guarantees required temperatures in both the wash and final rinse.
- Maximum capacity per hour of 63 racks or 1.134 dishes.
- 57/84/150 seconds cycles (ETL-S mode).
- Incorporated Soft Start feature to offer additional protection to more delicate items.
- Slanted wash arms and sloped ceiling to avoid detergent-filled wash water dropping on clean dishes after the rinsing phase, thus guaranteeing ideal washing results.
- Cycle may be interrupted at any time by lifting the hood.
- Automatic self-cleaning cycle and self-draining wash pump and booster to avoid bacteria proliferation.
- State-of-the-art electronic controls with built-in programming, self-diagnostics for serviceability and automatic interior rinse-down cycle.
- Built-in rinse aid and detergent dispenser with automatic initial and continuous cycle loading for perfect result while minimizing service and maintenance needs.
- Three phase electrical connection.
- Deep drawn pressed 6.4 gal (24 L) tank in front position with no welded points offer a guaranteed water tight solution and eliminates dirt traps.
- Vertical self-draining wash pump ensures no bacteria proliferation and bad smells during non-operation hours.
- Booster highly resistant to chlorinated water thanks to robotised TIG welding technology.

Construction

- Heavy duty Stainless steel construction. Internal cavity as well as exterior panels are in 304 series Stainless steel.
- Double skin insulated hood.
- Specially designed Stainless steel wash/rinse arms and nozzles



Electrolux

Warewashing
Green&Clean Hood Type Dishwasher, Manual with ESD, ZERO LIME Device & CLEAR BLUE System

Electrolux Professional, Inc.

www.electroluxusa.com/professional

10200 David Taylor Drive, Charlotte, NC 28262 • Telephone Number: 866-449-4200 • Fax Number: 704-547-7401



Electrolux

**Warewashing
Green&Clean Hood Type Dishwasher,
Manual with ESD, ZERO LIME Device &
CLEAR BLUE System**

provide superior cleaning action.

- Revolving interchangeable Stainless steel wash/rinse arms above and below the rack, screw out for simple clean up.
- Pre-arranged for on-site HACCP implementation and Energy Management device.
- Element protection from dry fire and low water.
- Unit to include drain, detergent and rinse aid dispenser pumps.
- Utilizes standard 20" by 20" (500x500mm) racks for ease of operation.
- 17- 5/16" (440mm) door opening accepts 18" trays.

Included Accessories

- 2 of Yellow cutlery container PNC 864242
- 1 of Basket for (18) dinner plates, yellow PNC 867002
- 1 of Basket for (48) small cups or (24) large cups, PNC 867007 blue

Optional Accessories

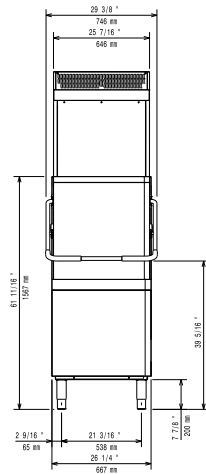
- HACCP connection cable for double skin hood type PNC 864007
- Back panel for double skin manual hood type with Energy Saving Device (ESD) - AISI 304 PNC 864343
- Connecting kit for duet manual hood type dishwasher PNC 865264



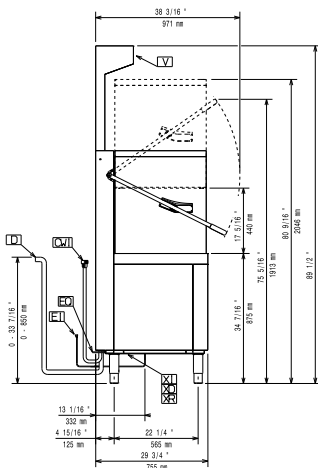
Electrolux

Warewashing Green&Clean Hood Type Dishwasher, Manual with ESD, ZERO LIME Device & CLEAR BLUE System

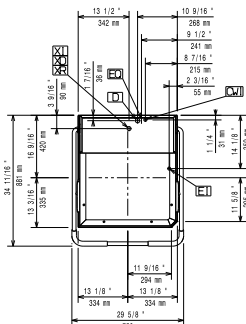
Front



Side



Top



CW11

- CW11** = Cold Water inlet
- D** = Drain
- EI** = Electrical connection
- EO** = Electrical Outlet
- V** = Vents
- V** = Air vents
- WI** = Water inlet
- XD** = Detergent connection
- XI** = Chemicals inlet
- XP** = Detergent probe
- XR** = Rinse aid connection

Electric

Supply voltage:

504279 (EHT8IELG4)	240 V/3 ph/60 Hz
504280 (EHT8IELG8)	208 V/3 ph/60 Hz

Default Installed Power: 9.9 kW at 50°F (10°C)

Boiler Heating Elements Power: 9.9 kW at 50°F (10°C)

Tank heating elements: 3 kW

Wash pump size: 1.1 hp (0.8 kW)

Minimum current:

504279 (EHT8IELG4)	24A
504280 (EHT8IELG8)	28A

Maximum Over-Current Protection (MOP):

504279 (EHT8IELG4)	40A
504280 (EHT8IELG8)	50A

Minimum Circuit Ampacity (MCA):

504279 (EHT8IELG4)	34A
504280 (EHT8IELG8)	40A

Water:

Water supply temperature:	50-68°F (10-30 °C)
Inlet Water supply pressure:	7 - 102 psi (0.5 - 7 bar)
Water consumption per cycle:	0.53 gal (2 L)
Booster Capacity:	3.17 gal (12 L)
Tank Capacity:	6.34 gal (24 L)
Drain line size:	0.8" (20.5 mm) pumped drain

Key Information:

Wash temperature (MIN):	160 °F (71 °C)
N° of cycles:	3
Duration cycle - NSF-*	57/84/150 sec.
Racks per hour - ETL-S: *	63
Dishes per hour - ETL-S: *	1134
Rinse temperature (MIN):	183.2°F (84°C)
External dimensions, Width:	29 5/8" (752 mm)
External dimensions, Depth:	29 3/4" (755 mm)
External dimensions, Height:	89 1/2" (2273 mm)
Net weight:	331 lbs (150 kg)
Shipping width:	36 1/4" (920 mm)
Shipping depth:	30 5/16" (770 mm)
Shipping height:	
504279 (EHT8IELG4)	68 1/8" (1730 mm)
504280 (EHT8IELG8)	67 3/4" (1720 mm)
Shipping weight:	
504279 (EHT8IELG4)	284 lbs (129 kg)
504280 (EHT8IELG8)	287 lbs (130 kg)
Shipping volume:	
504279 (EHT8IELG4)	43.27 ft³ (1.23 m³)
504280 (EHT8IELG8)	43.02 ft³ (1.22 m³)
Noise level:	<63 dBA

Air Emission:

Air Flow:	17 CFM (28 m3/h)
Air temperature:	86°F (30°C)
Air humidity:	55% r.h.

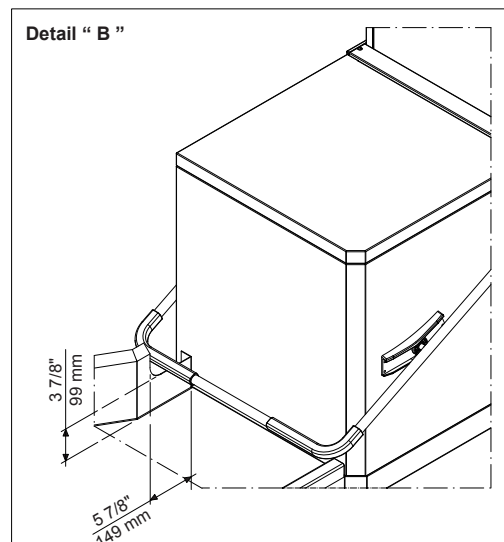
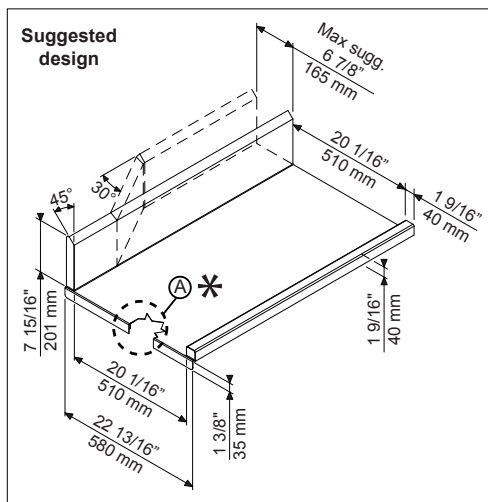
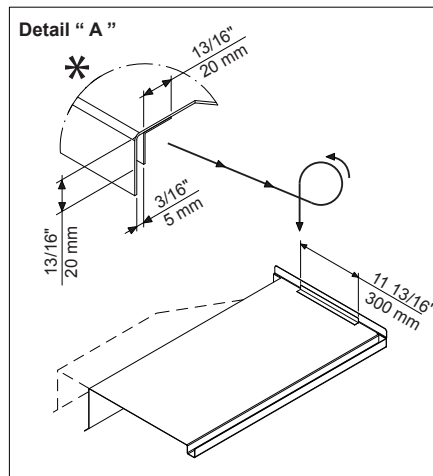
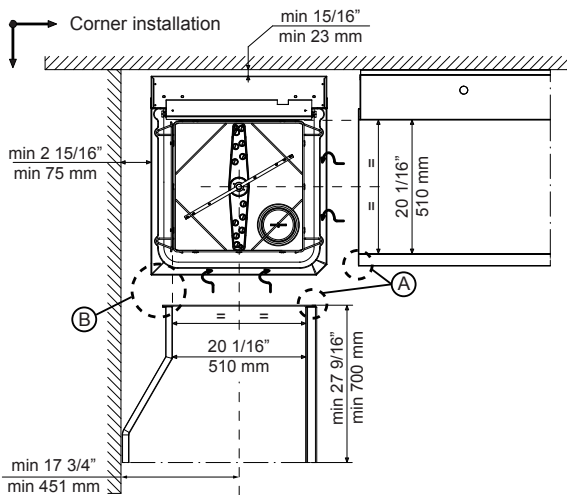
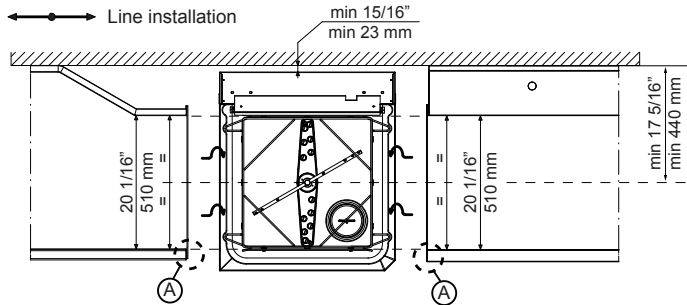
* without considering additional 11 seconds for ESD operation.



Electrolux

Warewashing Green&Clean Hood Type Dishwasher, Manual with ESD, ZERO LIME Device & CLEAR BLUE System

Recommended table connection



All tables must be connected to the dishwashing units according to local regulations and industry standards which may differ from the recommendations herein suggested. Electrolux Professional is not liable for any failure in complying with local design standards.

Doc Nr : 59566BF00

Warewashing
Green&Clean Hood Type Dishwasher, Manual with ESD, ZERO LIME
Device & CLEAR BLUE System
The company reserves the right to make modifications to the products
without prior notice. All information correct at time of printing.