

Warewashing Green&Clean Hood Type Dishwasher, Manual with ZERO LIME Device & CLEAR BLUE System

ITEM # _____

MODEL # _____

NAME # _____

SIS # _____

AIA # _____



**504262
 (EHT8ILG4)**

Dishwasher, hood type, 60 racks/hour, hot water sanitizing with built-in booster heater, field convert corner/straight thru, 304 stainless steel frame, wash tank, booster tank & side panels, drain, detergent & rinse aid pumps, 240v/60/3-ph, 24 amps, 2 HP,

**504263
 (EHT8ILG8)**

Dishwasher, hood type, 60 racks/hour, hot water sanitizing with built-in booster heater, field convert corner/straight thru, 304 stainless steel frame, wash tank, booster tank & side panels, drain, detergent & rinse aid pumps, ETL, ENERGY STAR®

Short Form Specification

Item No. _____

Unit to be Electrolux Green & Clean EHT hot water sanitizing dishwasher with WASH SAFE CONTROL. Electrical characteristics to be 240 volts or 208 volts., three phase operation. Energy Star 2.0 certified product. Unit to feature atmospheric built-in booster system with built-in rinse booster pump thus guaranteeing rinse pressure during rinse cycle. Maximum water consumption of 1/2 gal (2L) per rack. Washing performance is guaranteed by a powerful 1.1 HP (0.8kW) wash pump and upper and lower stainless steel revolving washing spray arms. Features ZERO LIME device to automatically descale the whole hydraulic circuit and washing chamber. Features "WASH SAFE CONTROL" led light. Green light will indicate that all items washed have been properly rinsed. CLEAR BLUE filtering to system remove majority of soil from the wash water. 304 stainless steel construction to include double skin insulated hood, external, front, and side panels, wash tank, tank filter plus wash and rinse arms. Field convertible from straight to corner operation. Includes drain pump, detergent and rinse aid pumps and is equipped with flexible fill hoses. Program two-year parts and one-year labor warranty, installation start up and performance check-up after one year from installation.



APPROVAL: _____

Main Features

- CLEAR BLUE advanced filtering system provides cleaner wash water and higher active detergent thus ensuring better washing performances and lower running costs.
- ETL-Sanitation approved (ANSI/NSF 3 sanitation standard) and DIN 10512 compliant.
- Requires only 0.6gal (2 liters) of water per washing cycle thus ensuring low energy, water, detergent and rinse aid consumption.
- Built-in atmospheric boiler sized to raise incoming water to a minimum of 183 °F (84 °C) for sanitizing rinse. No external booster is required. Constant temperature of 183 °F (84 °C) throughout the rinsing cycle regardless of the network's water pressure.
- Green light of "WASH SAFE CONTROL" confirms that items have been rinsed properly.
- Unique temperature interlock guarantees required temperatures in both the wash and final rinse.
- Incorporated Soft Start feature to offer additional protection to more delicate items.
- Slanted wash arms and sloped ceiling to avoid detergent-filled wash water dropping on clean dishes after the rinsing phase, thus guaranteeing ideal washing results.
- Cycle may be interrupted at any time by lifting the hood.
- Automatic self-cleaning cycle and self-draining vertical wash pump and boiler to avoid bacteria proliferation.
- State-of-the-art electronic controls with built-in programming, self-diagnostics for serviceability and automatic interior self-cleaning cycle.
- Built-in rinse aid and detergent dispenser with automatic initial and continuous cycle loading for perfect result while minimizing service and maintenance needs.
- IP25 protection against water jet, solid objects and small animals (larger than 0.2").
- Maximum capacity per hour of 80 racks or 1.440 dishes.
- The machine can be connected to cold water**.

Construction

- Heavy duty Stainless steel construction. Internal cavity as well as exterior panels are in 304 series Stainless steel.
- Pressed tank in front position to facilitate cleaning.
- Double skin insulated hood.
- Specially designed Stainless steel wash/rinse arms and nozzles provide superior cleaning action.
- Revolving interchangeable Stainless steel wash/rinse arms above and below the rack, screw out for simple clean up.
- Pre-arranged for on-site HACCP implementation and Energy Management device.
- Element protection from dry fire and low water.
- Unit to include drain pump and rinse aid dispenser pump.

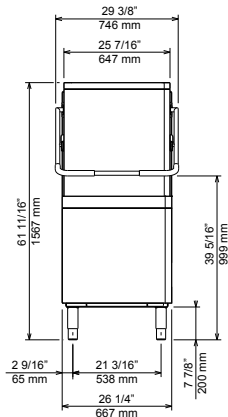
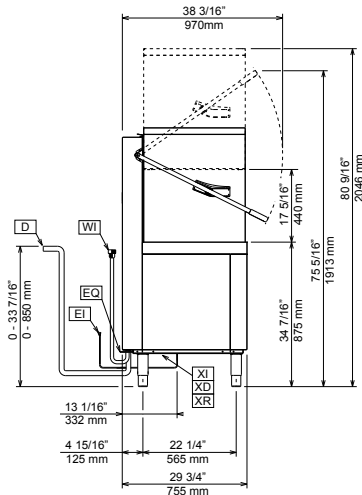
Included Accessories

- 2 of Yellow cutlery container PNC 864242
- 1 of Basket for (18) dinner plates, yellow PNC 867002
- 1 of Basket for (48) small cups or (24) large cups, blue PNC 867007

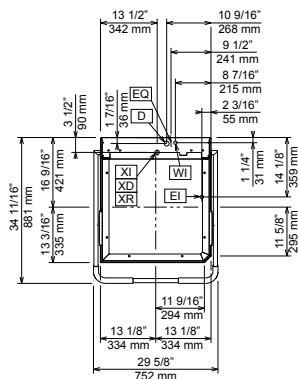


Optional Accessories

- HACCP connection cable for double skin hood type PNC 864007
- Back panel for double skin manual hood type - AISI 304 PNC 864342
- - NOT TRANSLATED - PNC 864461
- - NOT TRANSLATED - PNC 864463
- - NOT TRANSLATED - PNC 864464
- Connecting kit for duet manual hood type dishwasher PNC 865264
- - NOT TRANSLATED - PNC 865493

Front

Side


- | | |
|-----------------------------------|----------------------------------|
| CW1 = Cold Water inlet | XI = Chemicals inlet |
| D = Drain | XP = Detergent probe |
| EI = Electrical connection | XR = Rinse aid connection |
| EO = Electrical Outlet | |
| HWI = Hot water inlet | |
| WI = Water inlet | |
| XD = Detergent connection | |

Top

Electric

Supply voltage:	
504262 (EHT8ILG4)	240 V/3 ph/60 Hz
504263 (EHT8ILG8)	208 V/3 ph/60 Hz
Required Amps (Min; MOP, MCA):	
504262 (EHT8ILG4)	24A; 40A, 34A
504263 (EHT8ILG8)	28A; 50A, 40A
Default Installed Power:	9.9 kW at 50°F (10°C)
Booster Heating Elements Power:	9 kW at 50°F (10°C)
Tank heating elements:	3 kW
Wash pump power:	1.1 hp (0.8 kW)

Water:

Water supply temperature:	50-122°F (10-50 °C)
Inlet Water supply pressure:	7 - 102 psi (0.5 - 7 bar)
Peak Rate of Drain Flow:	0 l/s
Water consumption per cycle:	0.53 gal (2 L)
Booster Capacity:	3.17 gal (12 L)
Tank Capacity:	6.34 gal (24 L)
Drain line size:	0.8" (20.5 mm) pumped drain

Key Information:

Wash temperature (MIN):	
504262 (EHT8ILG4)	160°F (71°C)
504263 (EHT8ILG8)	160°F (71°C)
N° of cycles:	3
Duration cycle - NSF:*	57/84/150 sec.
Racks per hour - ETL-S: *	63
Dishes per hour - ETL-S: *	1134
Rinse temperature (MIN):	183.2°F (84°C)
External dimensions, Width:	29 5/8" (752 mm)
External dimensions, Depth:	29 3/4" (755 mm)
External dimensions, Height:	61 11/16" (1567 mm)

Net weight:	
504262 (EHT8ILG4)	258 lbs (117 kg)
504263 (EHT8ILG8)	280 lbs (127 kg)
Shipping width:	
504262 (EHT8ILG4)	36 1/4" (920 mm)
504263 (EHT8ILG8)	28 13/16" (920 mm)

Shipping depth:	
504262 (EHT8ILG4)	30 5/16" (770 mm)
504263 (EHT8ILG8)	32 1/4" (770 mm)

Shipping height:	
504262 (EHT8ILG4)	67 3/4" (1730 mm)
504263 (EHT8ILG8)	68 1/8" (1730 mm)

Shipping weight:	317 lbs (144 kg)
-------------------------	------------------

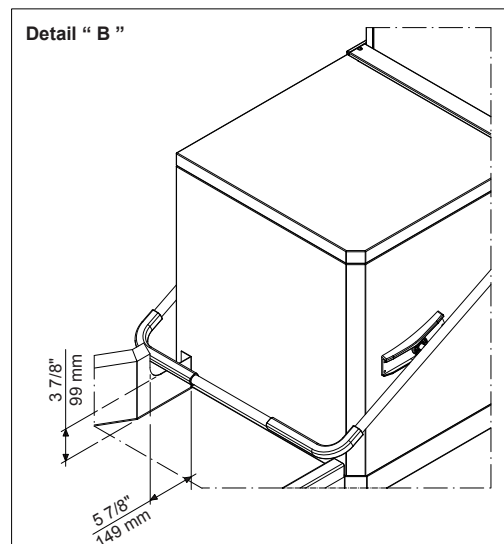
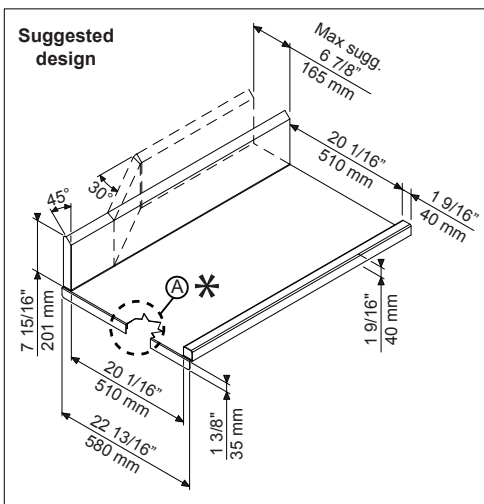
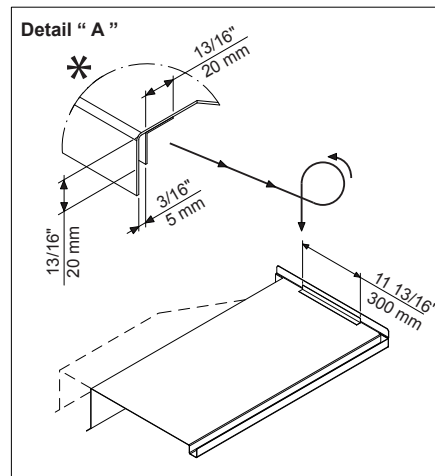
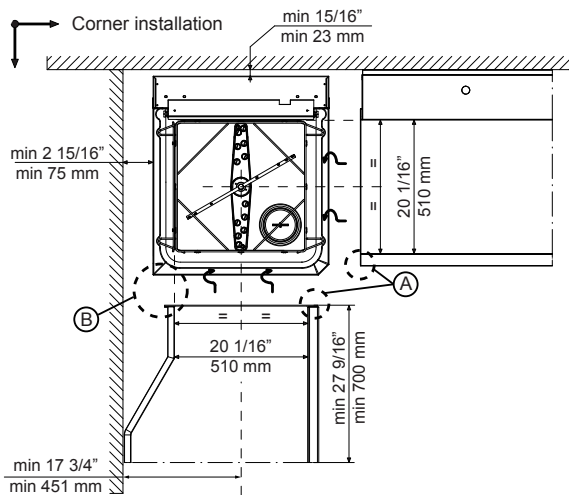
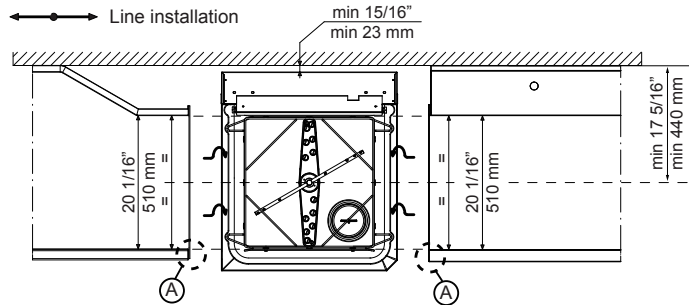
Shipping volume:	
504262 (EHT8ILG4)	43.02 ft³ (1.23 m³)
504263 (EHT8ILG8)	36.62 ft³ (1.23 m³)

Noise level:	<63 dBA
---------------------	---------

* According to market standard, the productivity is declared at an inlet water supply temperature of 122°F (50°C) and does not include loading/unloading time.



Recommended table connection



All tables must be connected to the dishwashing units according to local regulations and industry standards which may differ from the recommendations herein suggested. Electrolux Professional is not liable for any failure in complying with local design standards.

Doc Nr : 59566BF00