

## Cooking Sandwich Press SpeedLight with flexible plate, smooth removable teflon upper plate

ITEM # \_\_\_\_\_

MODEL # \_\_\_\_\_

NAME # \_\_\_\_\_

SIS # \_\_\_\_\_

AIA # \_\_\_\_\_



**603874 (HSPP3RPFS)**

SpeedLight with Flexible Top smooth Contact Plate, dark grey

### Short Form Specification

**Item No.** \_\_\_\_\_

SpeedLight High Speed Cooking Platform - Ventless, Fast, Friendly, Easy and Smart. Lid and top plate constructed in 304 AISI stainless steel and with external high-grade composite material paneling and handle. Self-adjusting upper plate adapting to food thickness or lockable in fixed position to avoid contact with food. Possibility to manually adjust the maximum movement of the upper plate. Ribbed top contact plate 8 7/16" x 8 7/16" in aluminum with non-stick coating. Can accept food products from 2/5" to 3" thick. Smooth 5/32" thick quartz glass bottom cooking surface 10" x 10" (250 x 250 mm). Two probes independently control the temperature of the top and bottom plates from 212°F to 536°F (100 to 250° C). Automatic lid holding and lifting of the lid at the end of the cooking cycle via mechanical spring. Electronic control with digital 4.3" LED display, countdown display and buzzer at the end of the cycle. Green technology - the exclusive Energy Saving Mode works when the lid is closed to activate the stand - by mode; SpeedLight consumes 60% less energy.



**APPROVAL:** \_\_\_\_\_

### Main Features

- It combines 3 cooking technologies: contact, infrared radiation and microwaves to provide perfectly cooked food, heated to the core.
- 8 pre-loaded programs (editable):-P1 = 70 sec. (12 sec. MW)-P2 = 80 sec. (12 sec. MW)-P3 = 60 sec. (20 sec. MW)-P4 = 75 sec. (20 sec. MW)-P5 = 85 sec. (25 sec. MW)-P6 = 85 sec. (18 sec. MW)-P7 = 30 sec. (25 sec. MW)-P8 = 12 sec. (no MW) With Top temperature = 480° F and bottom temperature = 428° F
- Self adjusting upper plate to heat food adapting to its thickness.
- The Energy Saving Mode automatically switches to stand-by after an amount of time settled by the operator (from 1 to 60 minutes).
- Delivered with USB port and wi-fi connection to optimize workflows allowing local and remote interaction (temperatures, countdowns, warnings).
- Electronic control with digital 4.3"LED display with adjustable brightness.
- Countdown display and buzzer with adjustable volume at the end of the cycle.
- Automatic mechanical lid holding and opening system controlled.
- Ergonomic handle for easy movement of the lid.
- ETL safety approved, complies with UL 923 and CAN/CSA 22.2 standards.
- ETL sanitation approved, complies with NSF/ANSI 4 standard.
- IPX4 water resistance certification.
- This product is in compliance with EPA202 requirements, Therefore according to UL710B Ed.2 Section 59 - Emission test" and therefore is not required to be under a hood.

### Construction

- Two (2) temperature probes for an independent control of the top and bottom plate temperature.
- Smooth 5/32" (4 mm) thick quartz glass bottom cooking surface 9 13/16" x 9 13/16" (250 x 250 mm).
- Included accessories: brush, spatula, 2 3/4" (75 mm) high stainless steel feet and de-greaser cleaning agent.
- Independent temperature setting of the top and bottom plates from 212 to 536°F (100 to 250 °C).
- Automatic lifting of the lid at the end of the cooking cycle via mechanical spring.
- Lid, back cover and bottom all in AISI 304 S/S.
- Lid covers, handle and side panels in high-grade reinforced composite material.
- 800W heating element on the top plate.
- 800W electrical armored heating elements on the bottom plate.
- 2 x 1050W magnetrons for microwave.
- Front air inlet and back outlet for efficient cooling ventilation allows easy air filters removal and side by side installation.
- Aluminum ribbed smooth contact plate 8 7/16" x 8 7/16"

(215 x215 mm) treated with a special non-stick coating.

**Included Accessories**

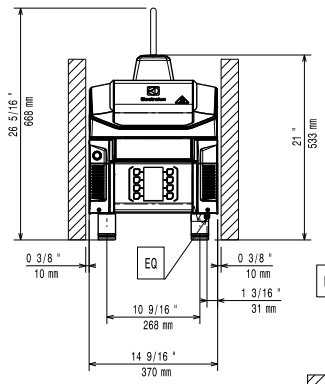
- 1 of Glass saver for SpeedDelight PNC 653527
- 1 of Cleaning brush for SpeedDelight PNC 653623
- 1 of Spatula for SpeedDelight PNC 653625
- 1 of 4 stainless steel feet 3" (76 mm) height for SpeedDelight PNC 653791
- 1 of SpeedDelight Spacer Stop Kit for Rear Ventilation PNC 653794
- 1 of 1 qt (1 lt) bottle of detergent degreaser for SpeedDelight PNC 653796

**Optional Accessories**

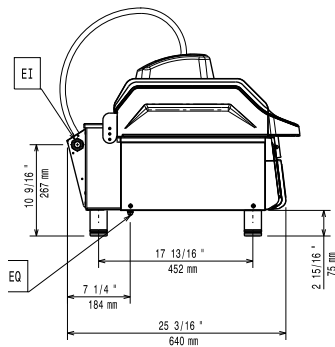
- Glass saver for SpeedDelight PNC 653527
- Cleaning brush for SpeedDelight PNC 653623
- Spatula for SpeedDelight PNC 653625
- Removable flat teflon plate for SpeedDelight PNC 653790
- Four (4) Rubber Feet 1 1/32" (26mm) PNC 653792
- Four (4) Rubber Feet 1 37/64" (40mm) PNC 653793
- SpeedDelight Spacer Stop Kit for Rear Ventilation PNC 653794

## Cooking Sandwich Press SpeedLight with flexible plate, smooth removable teflon upper plate

Front

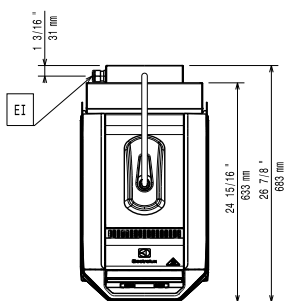


Side



EI = Electrical connection  
 EO = Electrical Outlet

Top



### Electric

<b>Supply voltage:</b>	603874 (HSP3RPFS)	208 V/1 ph/60 Hz
<b>Rated amps:</b>		26 A
<b>Electrical power, max:</b>		5 kW
<b>Total Watts:</b>		5 kW
<b>Plug type:</b>		NEMA 6 -30
<b>Minimum Circuit Ampacity (MCA):</b>		30A

### Installation:

Clearance: 7 1/2" (190mm) from rear vertical panel

### Key Information:

<b>External dimensions, Width:</b>	14 3/16" (361 mm)
<b>External dimensions, Depth:</b>	26 9/16" (675 mm)
<b>External dimensions, Height:</b>	24 13/16" (630 mm)
<b>Net weight:</b>	104 lbs (47 kg)
<b>Shipping width:</b>	17 3/4" (450 mm)
<b>Shipping depth:</b>	29 15/16" (760 mm)
<b>Shipping height:</b>	28 3/8" (720 mm)
<b>Shipping weight:</b>	130 lbs (59 kg)
<b>Shipping volume:</b>	8.69 ft <sup>3</sup> (0.25 m <sup>3</sup> )