



# Electrolux

## Modular Cooking Range Line 700XP Half Module Gas Grill Top - Town Gas

ITEM # \_\_\_\_\_

MODEL # \_\_\_\_\_

NAME # \_\_\_\_\_

SIS # \_\_\_\_\_

AIA # \_\_\_\_\_



371243 (E7GRTDGC0P)

Half module gas PowerGrill  
top - HP - town gas

### Short Form Specification

Item No. \_\_\_\_\_

To be installed on open base installations, bridging supports or cantilever systems. High efficiency 7 kW stainless steel gas burners with flame failure device, optimized combustion and protected pilot light. Suitable for town gas. Cooking surface grids in enameled cast iron, easily removable for cleaning. Exterior panels in stainless steel with Scotch Brite finish. One piece pressed work top in 1.5 mm thick stainless steel. Right-angled side edges to allow flush-fitting junction between units.

### Main Features

- Unit to be mounted on open base cupboards, bridging supports or cantilever systems.
- Stainless steel burners with flame failure device, optimized combustion and protected pilot light.
- AISI 441 stainless steel deflective shields located below the radiants prevent burners from clogging, minimize flare ups and ensure even heat distribution (PATENT PENDING).
- Dishwasher-safe radiants removable without the use of tools to facilitate cleaning.
- Stainless steel high splash guards on the rear and sides of cooking surface. Splash guards can be easily removed for cleaning and are dishwasher-safe.
- IPX4 water resistance certification.
- Extractable full-depth grease collection drawer to accumulate excess grease and oil.
- Cooking grids made in highly resistant enameled cast iron for easy cleaning.

### Construction

- All exterior panels in Stainless Steel with Scotch Brite finishing.
- One piece pressed 1.5 mm work top in Stainless steel.
- Model has right-angled side edges to allow flush fitting joints between units, eliminating gaps and possible dirt traps.

APPROVAL: \_\_\_\_\_



Experience the Excellence  
[www.professional.electrolux.com](http://www.professional.electrolux.com)

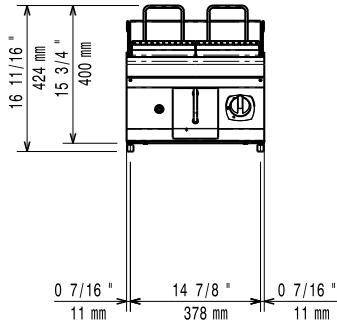
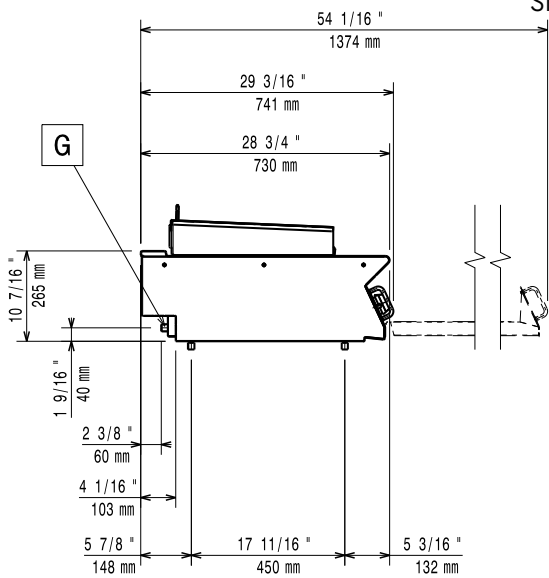


Electrolux

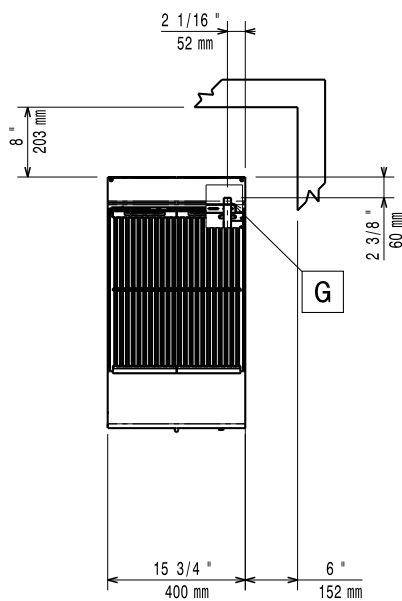
Modular Cooking Range Line  
700XP Half Module Gas Grill Top - Town Gas

**Optional Accessories**

- Junction sealing kit  PNC 206086
- Support for bridge type installation, 800mm  PNC 206137
- Support for bridge type installation, 1000mm  PNC 206138
- Support for bridge type installation, 1200mm  PNC 206139
- Support for bridge type installation, 1600mm  PNC 206141
- Support for bridge type installation, 400mm  PNC 206154
- Right and left side handrails  PNC 206307
- Back handrail 800mm, Marine  PNC 206308
- Scraper kit with hooks for HP grills  PNC 206347
- Base support for feet or wheels - 400mm (700/900)  PNC 206366
- Frontal handrail, 400mm  PNC 216046
- Frontal handrail, 800mm  PNC 216047
- Frontal handrail, 1200mm  PNC 216049
- Frontal handrail, 1600mm  PNC 216050
- Large handrail - portioning shelf, 400mm  PNC 216185
- 2 side covering panels for top appliances  PNC 216277

**Front**

**Side**


EQ = Equipotential screw  
G = Gas connection

**Top**

**Gas**

<b>Gas Power:</b>	<b>371243 (E7GRTDGC0P)</b>	7 kW
<b>Standard gas delivery:</b>		Natural Gas G20 (20mbar)
<b>Gas Type Option:</b>		
<b>Gas Inlet:</b>		1/2"

**Key Information:**

<b>Cooking surface width:</b>	371 mm
<b>Cooking surface depth:</b>	472 mm
<b>Net weight:</b>	32 kg
<b>Shipping weight:</b>	42 kg
<b>Shipping height:</b>	540 mm
<b>Shipping width:</b>	600 mm
<b>Shipping depth:</b>	700 mm
<b>Shipping volume:</b>	0.23 m <sup>3</sup>

If appliance is set up or next to or against temperature sensitive furniture or similar, a safety gap of approximately 150 mm should be maintained or some form of heat insulation fitted.