



# Electrolux

## Plug In SpeedLight with adjustable tube, ribbed removable teflon plate

ITEM # \_\_\_\_\_

MODEL # \_\_\_\_\_

NAME # \_\_\_\_\_

SIS # \_\_\_\_\_

AIA # \_\_\_\_\_



Electrolux

SpeedLight with adjustable tube, ribbed removable teflon plate

Plug In



603899 (HSG2RPRR3)

SpeedLight with manual Adjustable Top ribbed Contact Plate, dark grey

### Short Form Specification

#### Item No.

It combines 3 cooking technologies: contact, infrared radiation and microwaves to provide perfectly cooked food, heated to the core. The Energy Saving Mode automatically switches to stand-by after an amount of time settled by the operator (from 1 to 60 minutes). Delivered with USB port and wi-fi connection to optimize workflows allowing local and remote interaction (temperatures, countdowns, warnings). Lid, back cover and bottom all in AISI 304 S/S. Automatic lifting of the lid at the end of the cooking cycle via mechanical spring. Aluminum ribbed top contact plate (215 x 215 mm) treated with a special non-stick coating; smooth 4 mm thick quartz glass bottom cooking surface (250 x 250 mm). Front air inlet and back outlet for efficient cooling ventilation allows easy air filters removal and side by side installation. 2 temperature probes for an independent control of the top and bottom plate temperature. Electronic control with digital LED display with adjustable brightness and countdown display and buzzer with adjustable volume at the end of the cycle. 800W electrical armored heating elements on the bottom plate. 2x1050W magnetrons for microwave. Ergonomic handle for easy movement of the lid. 8 programs selectable on the display that can be adjusted by the user; the parameters are: top plate temperature, bottom plate temperature, total duration of each cycle, duration and distribution of microwaves within each cycle. The 6 pre-loaded programs are: -P1 = 30 sec. (20 sec. MW); -P2 = 40 sec. (30 sec. MW); -P3 = 50 sec. (40 sec. MW); -P4 = 60 sec. (NO MW); -P5 = 60 sec. (40 sec. MW); -P6 = 70 sec. (40 sec. MW). Included accessories: brush, spatula, scraper and degreasing liquid.

### Main Features

- IPX4 water resistance certification.
- It combines 3 cooking technologies: contact, infrared radiation and microwaves to provide perfectly cooked food, heated to the core.
- The Energy Saving Mode automatically switches to stand-by after an amount of time settled by the operator (from 1 to 60 minutes).
- Delivered with USB port and wi-fi connection to optimize workflows allowing local and remote interaction (temperatures, countdowns, warnings).
- Electronic control with digital 4.3" LED display with adjustable brightness.
- Countdown display and buzzer with adjustable volume at the end of the cycle.
- 8 programs selectable on the display. The 8 programs can be adjusted by the user. The programmable parameters are:
  - top plate temperature
  - bottom plate temperature
  - total duration of each cycle
  - duration and distribution of microwaves within each cycle.
- 6 pre-loaded Programs (editable):
  - P1 = 30 sec. (20 sec. MW)
  - P2 = 40 sec. (30 sec. MW)
  - P3 = 50 sec. (40 sec. MW)
  - P4 = 60 sec. (NO MW)
  - P5 = 60 sec. (40 sec. MW)
  - P6 = 70 sec. (40 sec. MW)
 The remaining two are not pre-loaded and should be programmed by Users according to their specific menus.
- Automatic mechanical lid holding and opening system controlled.
- Ergonomic handle for easy movement of the lid.
- Compliant with Regulation (EC) No 1935/2004 and its amendments, Regulation (EC) No 2023/2006 and its amendments.
- Manually adjustable upper plate to heat food up to a minimum height.

APPROVAL: \_\_\_\_\_



Experience the Excellence  
[www.professional.electrolux.com](http://www.professional.electrolux.com)



### Construction

- 2 temperature probes for an independent control of the top and bottom plate temperature.
- Aluminum ribbed top contact plate (215 x 215 mm) treated with a special non-stick coating.
- Smooth 4 mm thick quartz glass bottom cooking surface (250 x 250 mm).
- Included accessories: brush, spatula, scraper and degreasing liquid.
- Automatic lifting of the lid at the end of the cooking cycle via mechanical spring.
- Lid, back cover and bottom all in AISI 304 S/S.
- Lid covers, handle and side panels in high-grade reinforced composite material.
- 800W heating element on the top plate.
- 800W electrical armored heating element on the bottom plate.
- 2 x 1050W magnetrons for microwave.
- Front air inlet and back outlet for efficient cooling ventilation allows easy air filters removal and side by side installation.
- Independent temperature setting of the top and bottom plates from 50 to 250 °C.
- Delivered with IEC 309 3P+N+E IP44 380/480V 16A plug.

### Included Accessories

- 1 of Glass saver for SpeedDelight PNC 653527
- 1 of Cleaning brush for SpeedDelight PNC 653623
- 1 of Spatula for SpeedDelight PNC 653625
- 1 of Special scraper for SpeedDelight PNC 653690
- 1 of 4 rubber feet - Height = 26 mm for SpeedDelight PNC 653792
- 1 of SpeedDelight spacer stop kit for rear ventilation PNC 653794
- 1 of 1lt bottle of detergent grease for SpeedDelight PNC 653796

### Optional Accessories

- Glass saver for SpeedDelight PNC 653527
- Cleaning brush for SpeedDelight PNC 653623
- Spatula for SpeedDelight PNC 653625
- Special scraper for SpeedDelight PNC 653690
- Spray bottle (0,5lt) for detergent - SpeedDelight PNC 653695
- Removable ribbed teflon plate for SpeedDelight PNC 653787
- 4 stainless steel feet - Height = 76 mm for SpeedDelight PNC 653791
- 4 rubber feet - Height = 40 mm for SpeedDelight PNC 653793
- SpeedDelight spacer stop kit for rear ventilation PNC 653794

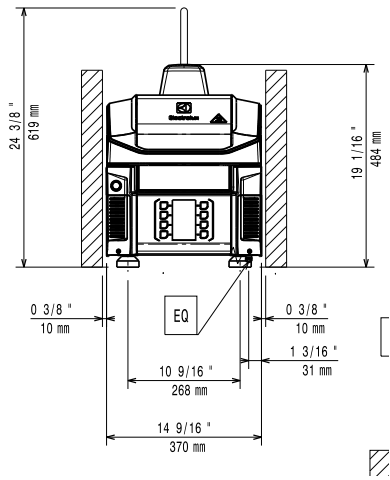




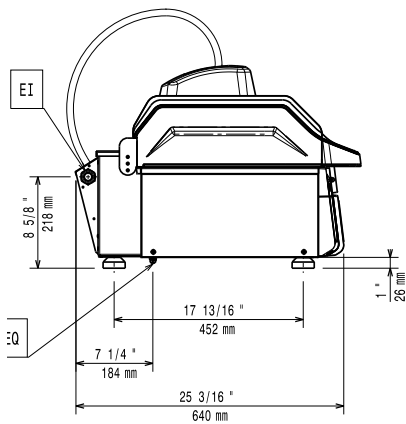
**Electrolux**

# Plug In SpeedLight with adjustable tube, ribbed removable teflon plate

Front

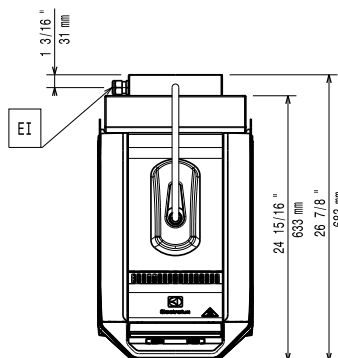


Side



EI = Electrical inlet (power)  
EO = Electrical Outlet

Top



## Electric

Supply voltage:	
603899 (HSG2RPRR3)	380-400 V/3N ph/50 Hz
Rated amps:	9 A
Total Watts:	5 kW

## Installation:

Clearance: 190mm from rear vertical panel

## Key Information:

External dimensions, Width:	361 mm
External dimensions, Height:	630 mm
External dimensions, Depth:	675 mm
Net weight:	47 kg
Shipping weight:	58 kg
Shipping height:	690 mm
Shipping width:	450 mm
Shipping depth:	780 mm
Shipping volume:	0.24 m <sup>3</sup>

## Plug In

SpeedLight with adjustable tube, ribbed removable teflon plate

The company reserves the right to make modifications to the products without prior notice. All information correct at time of printing.

2019.05.20

