



Electrolux

Plug In SpeedDelight with flexible plate, smooth removable teflon plate

ITEM # _____

MODEL # _____

NAME # _____

SIS # _____

AIA # _____



- 603912 (HSG3RPFSE1)** SpeedDelight with Flexible Top flat Contact Plate, dark grey - EMEA, Singapore
- 603914 (HSG3RPFSE3)** SpeedDelight with Flexible Top flat Contact Plate, dark grey - EMEA, Singapore

Short Form Specification

Item No.

Lid, top plate, back cover and side panels constructed in 304 AISI stainless steel and external high-grade composite material paneling and handle; bottom in AISI 430 stainless steel. Self-adjusting upper plate adapting to food thickness or blockable in fixed position to avoid contact with food. Possibility to manually adjust the maximum movement of the upper plate. Smooth top contact plate (215x215mm) in aluminum with non-stick coating. Can accept snacks from 10 to 75mm thick. Smooth 4mm thick quartz glass bottom cooking surface (250x250mm). 2 probes independently control the temperature of the top and bottom plates (50 to 250°C). Automatic lid holding and lifting at the end of the cooking cycle via mechanical spring. Ergonomic handle in high-grade composite material for easy movement of the lid. Electronic control with digital 4,3" LED display with countdown and buzzer at the end of the cycle. 800W heating element on the top plate and 800W electrical armored heating elements on the bottom plate. 2x1050 W magnetrons for microwaves. Front air inlet and back outlet for efficient cooling ventilation. Removable top front panel and dismountable top cooking plate for better cleanability. 8 preloaded programs (editable): P1 = 70 sec. (12 sec. MW) P2 = 80 sec. (12 sec. MW) P3 = 60 sec. (20 sec. MW) P4 = 75 sec. (20 sec. MW) P5 = 85 sec. (25 sec. MW) P6 = 85 sec. (18 sec. MW) P7 = 30 sec. (25 sec. MW) P8 = 12 sec. (no MW) With Top temperature = 249° C and bottom temperature = 220° C

Main Features

- It combines 3 cooking technologies: contact, infrared radiation and microwaves to provide perfectly cooked food, heated to the core.
- Self adjusting smooth upper plate to heat food adapting to its thickness.
- The Energy Saving Mode automatically switches to stand-by after an amount of time settled by the operator (from 1 to 60 minutes).
- Delivered with USB port and wi-fi connection to optimize workflows allowing local and remote inteaction (temperatures, countdowns, warnings).
- Electronic control with digital 4.3" LED display with adjustable brightness.
- Countdown display and buzzer with adjustable volume at the end of the cycle.
- Automatic mechanical lid holding and opening system controlled.
- IPX4 water resistance certification.
- Ergonomic handle for easy movement of the lid.
- Compliant with Regulation (EC) No 1935/2004 and its amendments, Regulation (EC) No 2023/2006 and its amendments.
- 8 pre-loaded programs (editable):
 - P1 = 70 sec. (12 sec. MW)
 - P2 = 80 sec. (12 sec. MW)
 - P3 = 60 sec. (20 sec. MW)
 - P4 = 75 sec. (20 sec. MW)
 - P5 = 85 sec. (25 sec. MW)
 - P6 = 85 sec. (18 sec. MW)
 - P7 = 30 sec. (25 sec. MW)
 - P8 = 12 sec. (no MW)
 With Top temperature = 249° C and bottom temperature = 220° C

Construction

- 2 temperature probes for an independent control of the top and bottom plate temperature.
- Smooth 4 mm thick quartz glass bottom cooking surface (250 x 250 mm).
- Included accessories: brush, spatula, scraper and degreasing liquid.
- Automatic lifting of the lid at the end of the cooking cycle via mechanical spring.
- Lid, back cover and bottom all in AISI 304 S/ S.
- Lid covers, handle and side panels in high-grade reinforced composite material.
- 800W heating element on the top plate.
- 800W electrical armored heating element on the bottom plate.
- 2 x 1050W magnetrons for microwave.

APPROVAL: _____



Experience the Excellence
www.professional.electrolux.com



Electrolux

SpeedDelight with flexible plate, smooth removable teflon plate

Plug In



- Front air inlet and back outlet for efficient cooling ventilation allows easy air filters removal and side by side installation.
- Aluminum smooth top contact plate (215 x 215 mm) treated with a special non-stick coating.
- Independent temperature setting of the top and bottom plates from 50 to 250 °C.
- Delivered with IEC 309 2P+E IP44 200/250V 32A plug. (only for 603912)
- Delivered with IEC 309 3P+N+E IP44 380/480V 16A plug. (only for 603914)

Included Accessories

- 1 of Glass saver for Speedelight PNC 653527
- 1 of Cleaning brush for Speedelight PNC 653623
- 1 of Spatula for Speedelight PNC 653625
- 1 of Special scraper for Speedelight PNC 653690
- 1 of 4 rubber feet - Height = 26 mm for Speedelight PNC 653792
- 1 of Speedelight spacer stop kit for rear ventilation PNC 653794
- 1 of 1lt bottle of detergent grease for Speedelight PNC 653796

Optional Accessories

- Glass saver for Speedelight PNC 653527
- Cleaning brush for Speedelight PNC 653623
- Spatula for Speedelight PNC 653625
- Special scraper for Speedelight PNC 653690
- Spray bottle (0,5lt) for detergent - Speedelight PNC 653695
- Removable ribbed teflon plate for Speedelight PNC 653787
- 4 stainless steel feet - Height = 76 mm for Speedelight PNC 653791
- 4 rubber feet - Height = 40 mm for Speedelight PNC 653793
- Speedelight spacer stop kit for rear ventilation PNC 653794

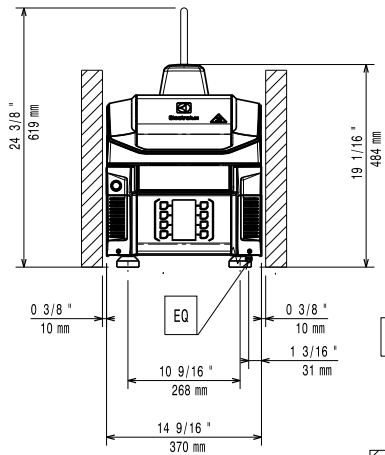




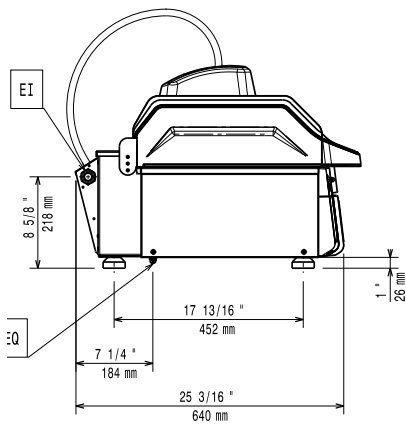
Electrolux

Plug In SpeedLight with flexible plate, smooth removable teflon plate

Front

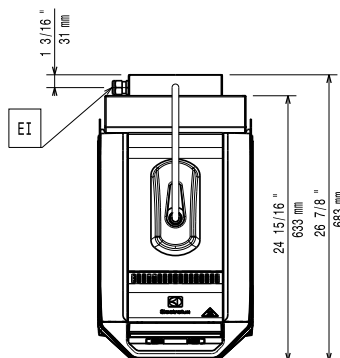


Side



EI = Electrical inlet (power)
EO = Electrical Outlet

Top



Electric

Supply voltage:

603912 (HSG3RPFSE1) 220-230 V/1 ph/50 Hz

603914 (HSG3RPFSE3) 380-400 V/3N ph/50 Hz

Rated amps:

603912 (HSG3RPFSE1) 22 A

603914 (HSG3RPFSE3) 9 A

Total Watts:

5 kW

Installation:

Clearance: 190mm from rear vertical panel

Key Information:

External dimensions, Width:	361 mm
External dimensions, Height:	630 mm
External dimensions, Depth:	675 mm
Net weight:	47 kg
Shipping weight:	58 kg
Shipping height:	690 mm
Shipping width:	450 mm
Shipping depth:	780 mm
Shipping volume:	0.24 m ³

Plug In
SpeedLight with flexible plate, smooth removable teflon plate

The company reserves the right to make modifications to the products without prior notice. All information correct at time of printing.

2019.05.20

