

Modular Cooking Snack Line Half Module Electric Bain Marie Top

ITEM # _____

MODEL # _____

NAME # _____

SIS # _____

AIA # _____



285754 (SME350)

Electric bain-marie top with 1
well-1/1 GN container h. 150
mm

Short Form Specification

Item No. _____

Constructed completely in stainless steel. Rounded edges and rear splashback. One-piece pressed well, with rounded corners, for use with a 1/1GN container h=150mm max. Adjustable thermostat from 30°C to 90°C. High limit safety thermostat. Heating via heating elements. Drainage via a tap and extendable hose positioned on the front of the unit.

APPROVAL: _____

Main Features

- Bain Marie used for keeping cooked food at serving temperatures using hot water.
- Incoloy armoured heating elements positioned beneath the base of the well.
- Unit to feature manual refill of well.
- Water basin is seamlessly welded into the top of the appliance.
- Water temperature controlled by thermostat with maximum temperature value of 90 °C.
- Unit can be placed table top or mounted on cupboard base.

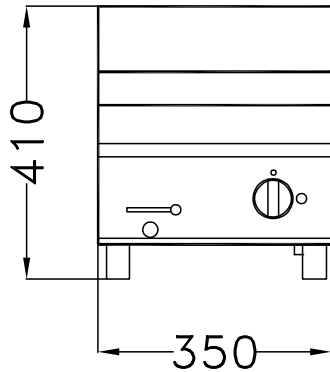
Construction

- Model has right-angled side edges to allow flush fitting joints between units, eliminating gaps and possible dirt traps.
- All exterior panels in Stainless Steel with Scotch Brite finishing.
- One piece pressed work top in Stainless steel.

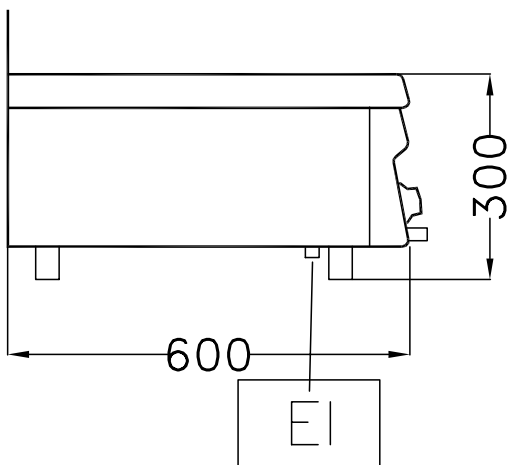
Optional Accessories

- Drilled false bottom for bain-marie PNC 285797
- Gully with joining panel PNC 285798

Front

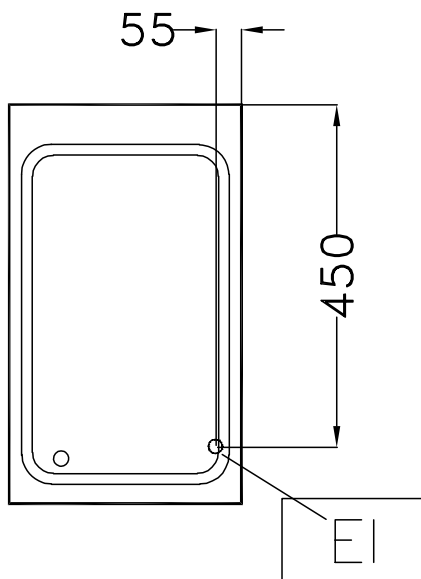


Side



EI = Electrical inlet (power)
EQ = Equipotential screw

Top



Electric

Supply voltage:
285754 (SME350) 230 V/1N ph/50/60 Hz
Total Watts: 1.3 kW

Water:

Water Drain: 2" (50 mm)

Key Information:

Thermostat Range: 30 °C MIN; 90 °C MAX
Net weight: 11 kg
Shipping weight: 17 kg
Shipping height: 560 mm
Shipping width: 700 mm
Shipping depth: 400 mm
Shipping volume: 0.16 m³

If appliance is set up or next to or against temperature sensitive furniture or similar, a safety gap of approximately 150 mm should be maintained or some form of heat insulation fitted.