

Ventilation Equipment Exhaust Hood without Fan for 6&10 GN1/1-LW

ITEM # _____

MODEL # _____

NAME # _____

SIS # _____

AIA # _____



640791 (KLW610GEM)

Exhaust hood without fan for 6&10 1/1GN ovens. It is mandatory to use the flue condenser (640413) on installation with gas ovens

Short Form Specification

Item No. _____

Constructed in 304 AISI stainless steel. Equipped with labyrinth filters in 304 AISI stainless steel (positioned on front). Suitable for installation on LW COMBI OVEN mod. 6&10x1/1GN. Installation of flue condenser 640413 (for 6&10 Gn1/1 gas oven) or 640415 (for 10 GN 2/1 gas oven) is mandatory when using a gas oven.

Main Features

- Filtering surface protects against fire hazard.
- System guarantees correct aspiration as well as high energy saving.
- Consistent reduction of odours produced during normal cooking.
- 304 AISI mechanical filters are dishwasher-safe thanks to the smooth surfaces.
- The easy to remove labyrinth filter provides access to the descaling pipe.
- Installation of flue condenser 640413 (for 6&10 Gn1/1 Gas Ovens) is mandatory when using a gas oven.

Construction

- Equipped with exhaust gas outlet chamber.
- Needs a direct and independent expulsion of the air to the outside.
- Developed and produced in ISO 9001 and ISO 14001 certified factory.
- Models without fan must be connected to a remote extractor through canalization.
- Constructed entirely in 304 AISI stainless steel.

Included Accessories

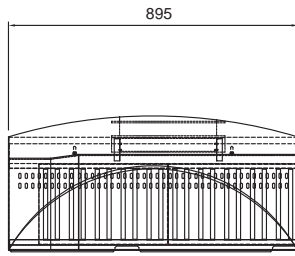
- 2 of 304 stainless steel labyrinth filter, PNC 640049
h=250 mm

Optional Accessories

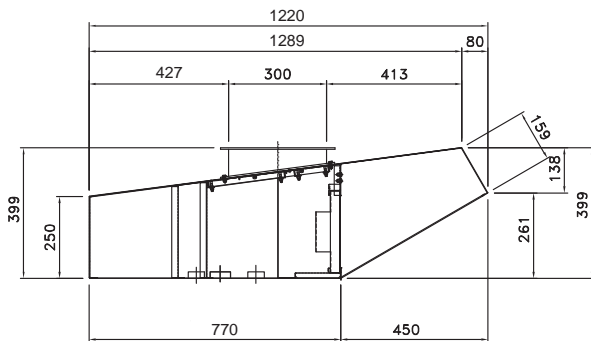
- Flue condenser for hood for 6 GN 1/1 and 10 GN 1/1 gas ovens. The flue condenser is mandatory on installations with ventilation hoods (640791 - 640792)

APPROVAL: _____

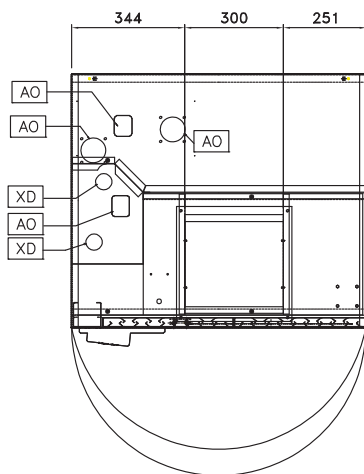
Front



Side



Top



Key Information:

External dimensions, Width:	
640791 (KLW610GEM)	895 mm
External dimensions, Height:	400 mm
External dimensions, Depth:	1220 mm
Air capacity:	1200 mc/h
Net weight:	40 kg