

## Modular Cooking Range Line EVO900 Electric Cylindrical Boiling Pan 60lt

ITEM # \_\_\_\_\_

MODEL # \_\_\_\_\_

NAME # \_\_\_\_\_

SIS # \_\_\_\_\_

AIA # \_\_\_\_\_



392233 (Z9BSEHINF0)

60-lt electric boiling pan with  
pressure switch, indirect  
heating

### Short Form Specification

Item No. \_\_\_\_\_

To be installed on cantilever systems but also incorporates fixing points for bridging. Incoloy armoured elements with safety thermostat positioned in the jacket cavity base. Exterior panels of unit in stainless steel with Scotch Brite finish. Pressed well bottom with rounded edges manufactured from AISI 316 stainless steel. Right-angled side edges to allow flush-fitting junction between units. Includes safety valve to control working pressure. Temperature limiter for power regulation allowing precise temperature cooking.

### Main Features

- Lid and cooking vessel in stainless steel. Sides of vessel with satin finishing for easy cleaning.
- Minimum load for correct functioning is 20 liters.
- Round kettle is suitable to cook, sauté or poach all kinds of produce.
- Produce is uniformly heated in the base and side walls of the kettle by an indirect heating system that uses integrally generated saturated steam at a temperature of 110° C in the jacket.
- Incoloy armoured elements with safety thermostat positioned in the jacket cavity base.
- External valve allows to manually evacuate excess air accumulated in the jacket during heating phase.
- Appliance is IPX5 water resistance certified.
- Manometer allows to correctly control the functioning of the pan.
- Energy regulation through a control knob.
- Safety thermostat protects against low water level.
- Safety valve avoids overpressure of the steam in the jacket.
- No overshooting of cooking temperatures, fast reaction.
- Large capacity food tap enables safe and effortless discharging of contents.
- Firmly fitting cover to reduce cooking time and save energy costs.
- Ergonomic: the depth of the vessel facilitates stirring the food, also the most delicate food.
- Discharge tube and tap are very easy to clean from outside.
- Closed heating system – no waste of energy.
- Solenoid valve to refill with hot and cold water.
- Smooth large surfaces, easy access for cleaning.
- Pressure switch control monitors energy and water consumption.
- The special design of the control knob system guarantees against water infiltration.

### Construction

- All exterior panels in Stainless Steel with Scotch Brite finishing.
- Model has right-angled side edges to allow flush fitting joints between units, eliminating gaps and possible dirt traps.

APPROVAL: \_\_\_\_\_

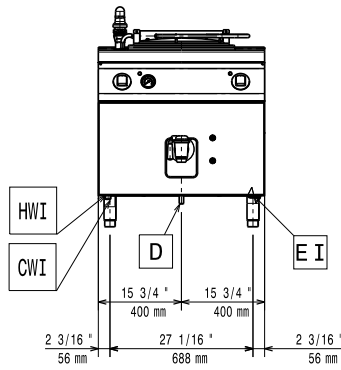
**Included Accessories**

- 1 of Water additive against corrosion for indirect boiling pans PNC 927222

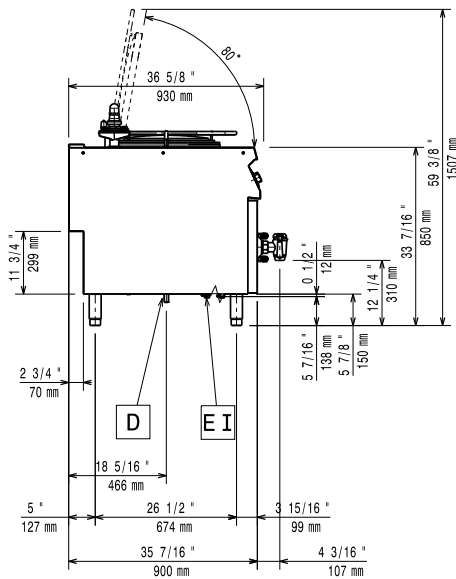
**Optional Accessories**

- Junction sealing kit PNC 206086
- 4 wheels, 2 swivelling with brake (EVO700/900). It is mandatory to install with base supports for feet/wheels. PNC 206135
- Flanged feet kit PNC 206136
- Frontal kicking strip for concrete installation, 800 mm PNC 206148
- Frontal kicking strip for concrete installation, 1000 mm PNC 206150
- Frontal kicking strip for concrete installation, 1200 mm PNC 206151
- Frontal kicking strip for concrete installation, 1600 mm PNC 206152
- Frontal kicking strip, 800 mm PNC 206176
- Frontal kicking strip, 1000 mm PNC 206177
- Frontal kicking strip, 1200 mm PNC 206178
- Frontal kicking strip, 1600 mm PNC 206179
- Pair of side kicking strips PNC 206180
- 2 panels for service duct (single installation) PNC 206181
- 2 panels for service duct (back to back installation) PNC 206202
- 4 feet for concrete installation (not for 900 line freestanding grill) PNC 206210
- Chimney upstand, 800 mm PNC 206304
- 2 side covering panels, height 700 mm, depth 900 mm PNC 206335
- Base support for feet or wheels - 800mm (EVO700/900) PNC 206367
- 1-section noodle basket for 60lt boiling pans PNC 921626
- Water additive against corrosion for indirect boiling pans PNC 927222

**Front**

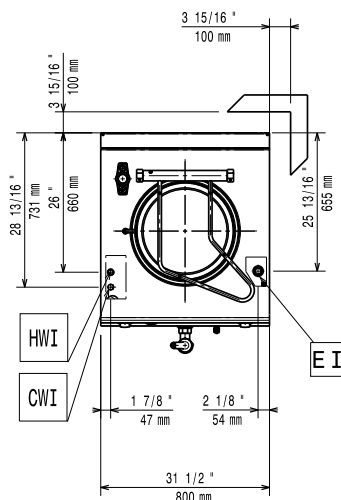


**Side**



- CW11 = Cold Water inlet 1
- D = Drain
- EI = Electrical inlet (power)
- HWI = Hot water inlet

**Top**



**Electric**

<b>Supply voltage:</b>	392233 (Z9BSEHINF0)	400 V/3N ph/50/60 Hz
<b>Total Watts:</b>		9.4 kW
<b>Predisposed for:</b>		380-400V 3N~ 50/60Hz 8,5-9,4kW

**Key Information:**

<b>Pan useful capacity:</b>	60 lt
<b>Vessel (round) diameter:</b>	420 mm
<b>Net weight:</b>	115 kg
<b>Shipping weight:</b>	140 kg
<b>Shipping height:</b>	1180 mm
<b>Shipping width:</b>	880 mm
<b>Shipping depth:</b>	1140 mm
<b>Shipping volume:</b>	1.18 m <sup>3</sup>

No clearance needed on rear sides of unit if wall is of non combustible type. If wall is combustible, minimum 50 mm wall clearance should be maintained.